



Ice Machine Parts List for Series Q Dispensers Models*

QFA-291

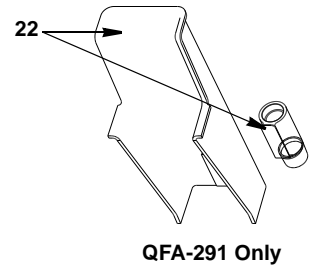
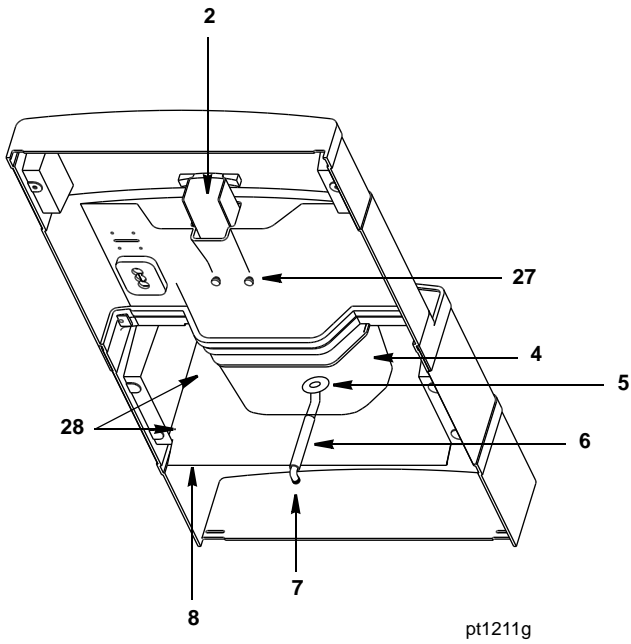
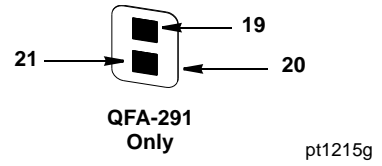
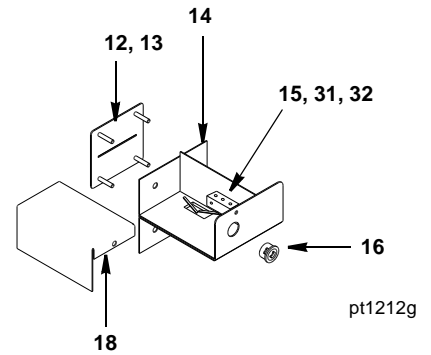
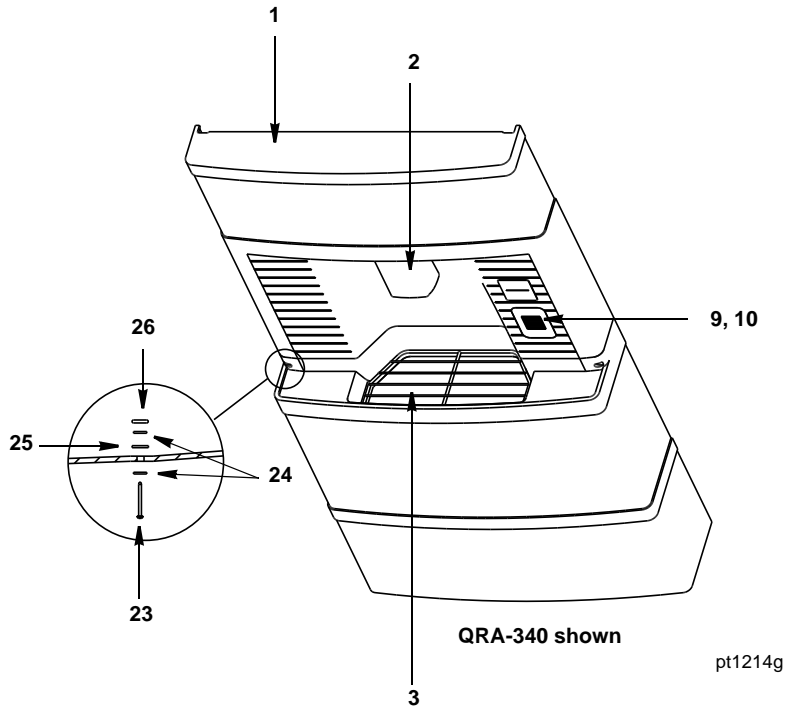
QRA-340

QPA-310

QCA-330

***Covers serial numbers up to 980565665, 980565693 to 981062222, 981062253 to 981063559.**

QPA-310, QRA-340, QFA-291, QCA-330 DOOR ASSEMBLY

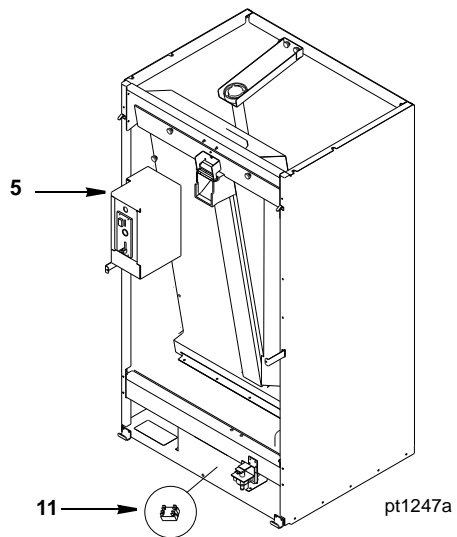
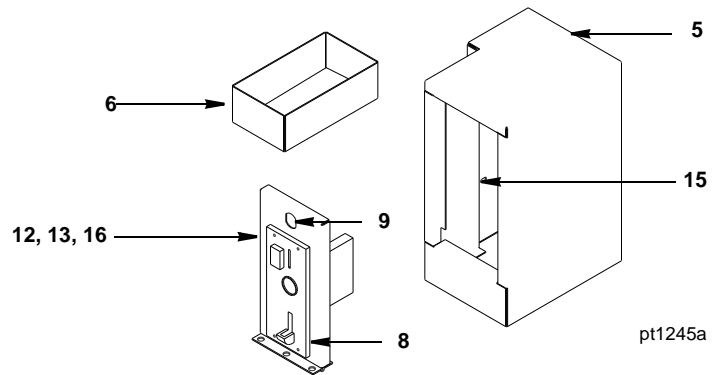
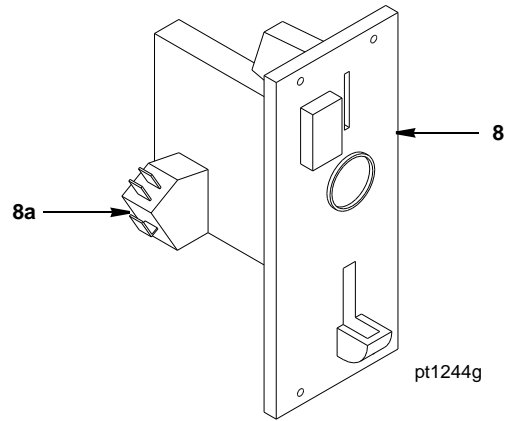
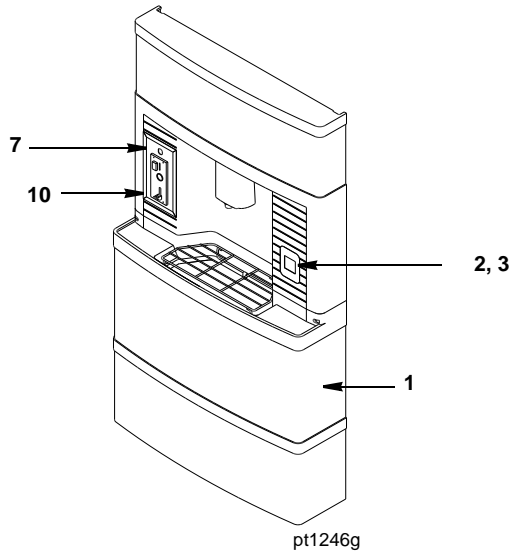


QPA-310, QRA-340, QFA-291, QCA-330 DOOR ASSEMBLY, CONTINUED

DESCRIPTION	PART NO.
QPA-310, QRA-340, QFA-291, QCA-330	
1 Main Door Assembly	
a. QPA-310 Push Button	† 76-2861-9
b. QRA-340 Room Card	† 76-2862-9
c. QFA-291 Push Button Glass Fill	† 76-2863-9
d. QCA-330 Coin	† 76-2868-9
See Pages 4 and 5 for coin mechanism parts.	
2 Ice Chute	43-0342-3
3 Wire Grill	
a. Glass Fill (QFA-291)	34-0686-3
b. Clamp, Hold Down	56-5003-3
c. Screw for Hold Down Clamp	† 50-1234-9
d. Bucket Fill (QPA-310, QRA-340, QCA-330)	† 97-5002-3
4 Catch Basin Assembly	76-2864-3
5 90 Degree Drain Fitting Assembly	76-2865-3
6 Vinyl Tubing 5/8" ID	† 44-2038-3
7 90 Degree Barbed Fitting	83-9012-3
8 Drip Rail	602779-1
QPA-310, QRA-340, QCA-330	
9 Push Button Switch Assembly "ICE"	23-0156-3
Micro-Switch Only	23-0157-3
10 Single Switch Plate	96-0709-3
11 Push Button Wiring Harness (Not shown)	20-3267-3
QRA-340	
12 Label "Insert Room Key Card"	81-3230-3
13 Room Card Access Plate	626991-4
14 Bracket Assembly (Card/Micro Switch)	602886-1
15 Room Card Micro Switch	627031-4
16 Bushing	25-0218-3
17 Room Card Wiring Harness (Not shown)	20-3262-3
18 Cover (Card/Micro Switch)	602878-1
QFA-291	
19 Push Button Switch Assembly "Water"	23-0155-3
20 Push Button Switch Assembly "ICE"	23-0154-3
Micro-Switch Only	23-0157-3
21 Dual Switch Plate	96-0710-3
22 Inner Chute/Water Spout Assembly	76-2866-3
a. Aerator Only	83-9017-3
QPA-310, QRA-340, QFA-291, Miscellaneous – Brackets, Screws, etc.	
23 Screw Pan Head #8 x 1 1/4"	† 51-1902-9
24 Nylon Flat Washer	† 55-7338-9
25 Flat Washer	† 55-7304-9
26 O-Ring	† 37-1819-9
27 Knurled Thumbscrews	† 53-0504-9
28 Screw #10-12 x 3/4"	† 51-3472-9
29 Room Card Access Plate Lockwasher #8 (Not shown)	† 55-4459-9
30 Room Card Access Plate Hexnut #8-32 (Not shown)	† 54-2906-9
31 Room Card Micro-Switch Hexnut #6-32 x 5/16"	† 54-2878-9
32 Room Card Micro-Switch Lockwasher #6	† 55-4454-9
33 Panel Retainer Clip Assembly (Not shown)	76-2925-3

† Refer to Cross Reference Guide

QCA-330 COIN MECHANISM ASSEMBLY

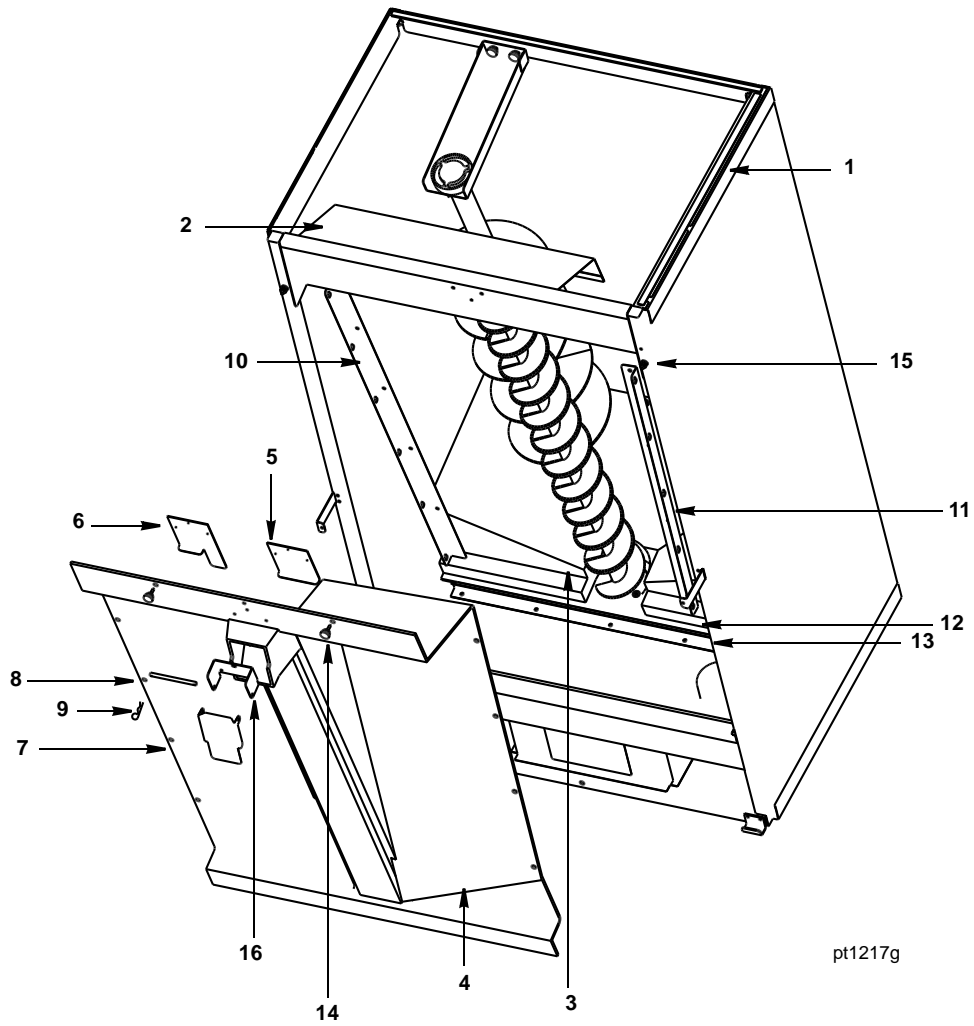


QCA-330 COIN MECHANISM ASSEMBLY, CONTINUED

DESCRIPTION	PART NO.
QCA-330	
1 Main Door Assembly	
a. QCA-330 Coin	† 76-2868-9
See Pages 2 and 3 for Main Door Assembly parts.	
QCA-330	
2 Push Button Switch Assembly "ICE"	23-0156-3
a. Micro-Switch Only	23-0157-3
3 Single Switch Plate	96-0709-3
4 Wiring Harness (Not shown)	20-3267-3
5 Coin Box Assembly	602986-1
6 Cash Box	603007-1
7 Coin Door Assembly	603050-1
8 Coin Mechanism	29-0032-3
a. Micro-Switch Only	23-0159-3
9 Cam Lock	30-6027-3
a. Cam Lock Key (Not shown)	30-6028-3
10 Coin Box Assembly Frame	603017-1
11 Vend Relay	
a. Vend Relay 120V	24-0648-3
b. Vend Relay 230V	No Longer Available
c. Vend Relay Wiring Lead (Not shown)	20-3260-3
QCA-330, Miscellaneous – Brackets, Screws, etc.	
12 Bolt	50-3771-3
13 Lockwasher #8	† 55-4459-9
14 Nylon Wire Harness Clips (Not shown)	† 56-5080-9
15 Knurled Thumbscrews #8-32	† 53-0504-9
16 Hex-Nut #8-32	† 54-2906-9

† Refer to Cross Reference Guide

QPA-310, QRA-340, QFA-291, QCA-330 CABINET ASSEMBLY



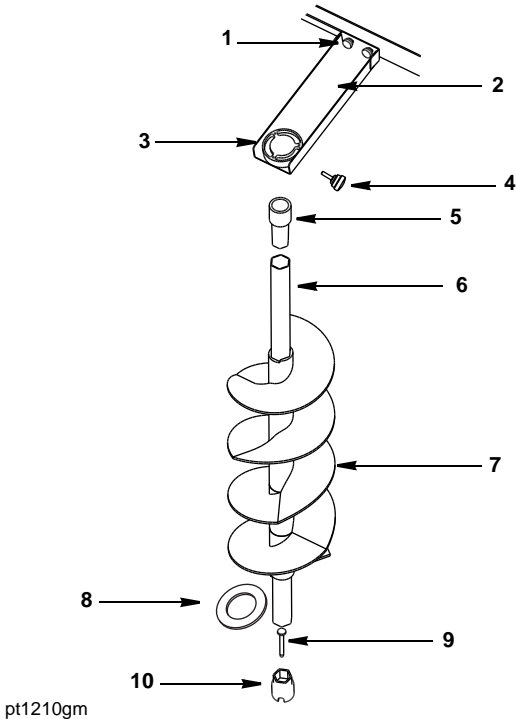
QPA-310, QRA-340, QFA-291, QCA-330 CABINET ASSEMBLY, CONTINUED

DESCRIPTION	PART NO.
QPA-310, QRA-340, QFA-291, QCA-330	
1 Foam Tape	† 92-0248-9
2 Deflector	602608-1
3 False Bottom	No Longer Available
4 Access Door Assembly	76-2867-3
5 Ice Restrictor Q310, Q340	628681-4
6 Ice Restrictor Q291 Only	606162-1
7 Ice Chute Door	† 76-2935-3
8 Ice Chute Door Pivot Pin	602679-1
9 Ice Chute Door Cotter Pin	† 37-1203-1
QPA-310, QRA-340, QFA-291, QCA-330 Miscellaneous – Brackets, Screws, etc.	
10 Left Hand Access Door Mounting Bracket	664171-4
11 Right Hand Access Door Mounting Bracket	664711-4
12 Access Door Base Bracket	627351-4
13 Access Door Retainer Bracket	627361-4
14 Knurled Thumbscrew	† 53-0504-9
15 Upper Door Retainer (Round Mounting Hole)	30-1041-3
a. Upper Door Retainer (Square Mounting Hole)	603019-1
b. Mounting Screen (for 603019-1)	† 52-0205-9
16 Ice Chute Door Mounting Bracket	† 76-2935-3
17 Lower Back Panel (Not shown)	602455-1
18 Drip Bracket Assembly (Not shown)	
a. Q300 Dispenser	† 76-2929-3
b. Q290 Dispenser	† 76-2930-3

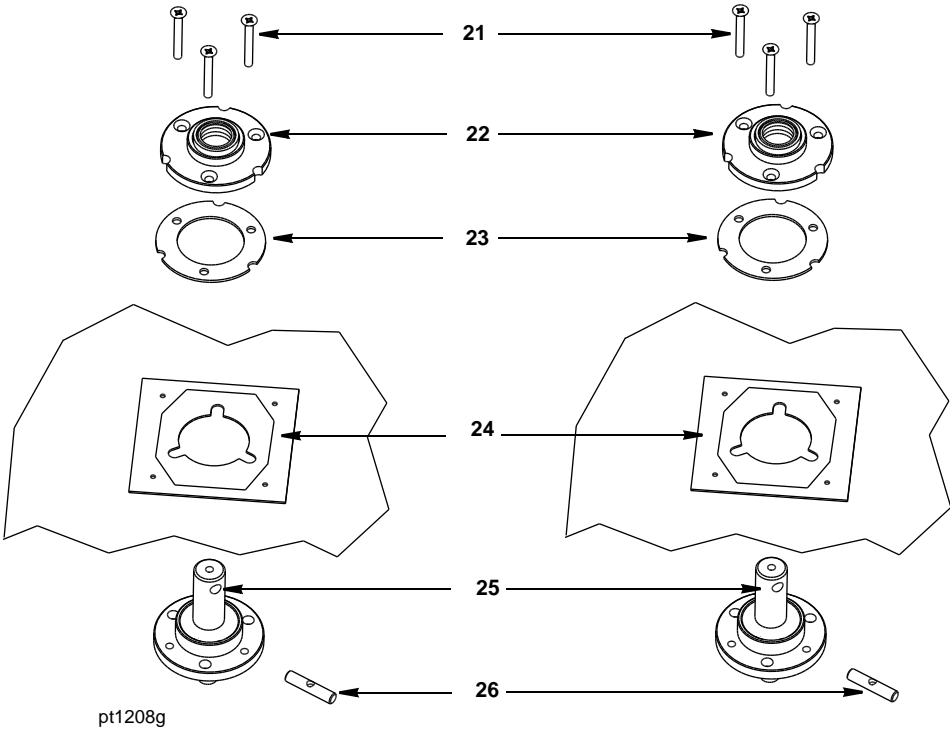
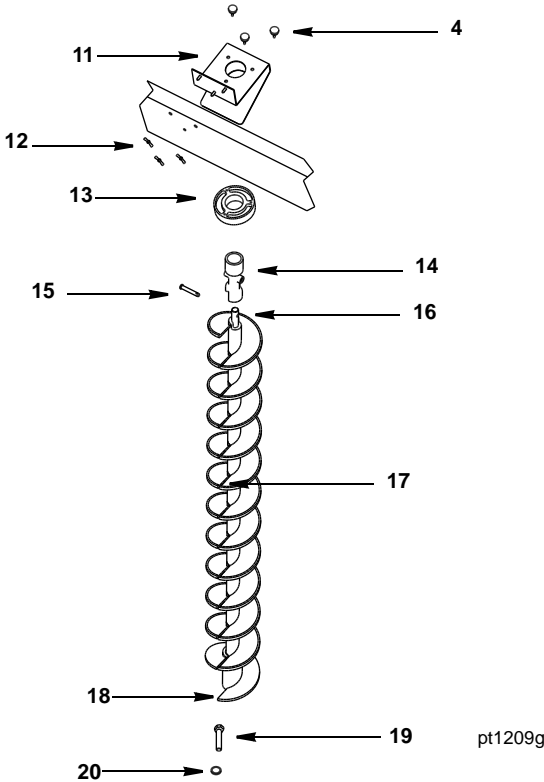
† Refer to Cross Reference Guide

QPA-310, QRA-340, QFA-291, QCA-330 AUGER AND BEARING ASSEMBLY

Agitator Auger Assembly



Delivery Auger Assembly

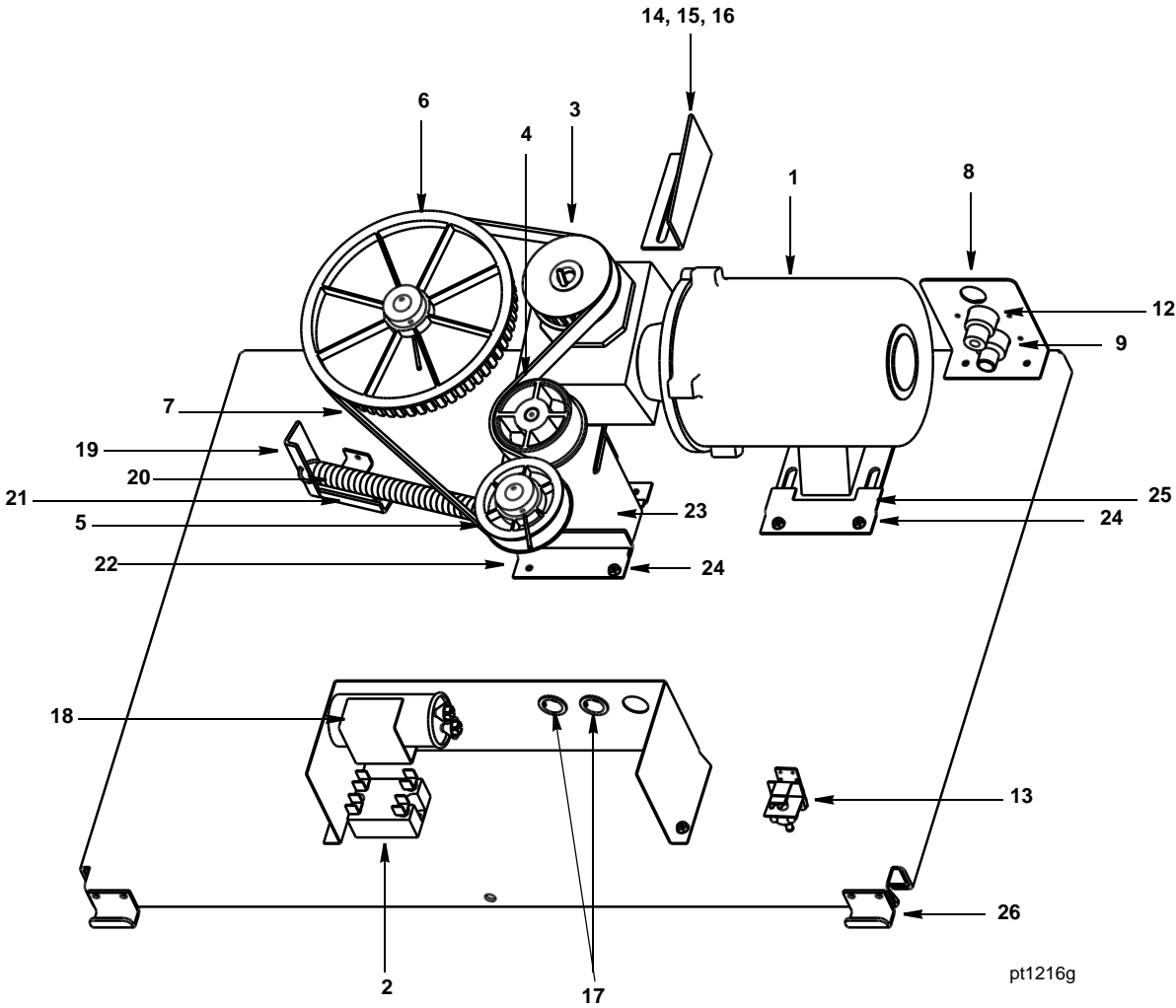


QPA-310, QRA-340, QFA-291, QCA-330 AUGER AND BEARING ASSEMBLY, CONTINUED

DESCRIPTION	PART NO.
QPA-310, QRA-340, QFA-291, QCA-330 Agitator Auger Assembly	
1 Thumbscrews #8-32	† 53-0504-9
2 Agitator Auger Mounting Bracket	602045-1
3 Agitator Auger Upper Bearing	43-0174-3
4 Thumbscrew #8 x 1/2"	† 50-1216-9
5 Upper Bearing Coupling	43-0168-3
6 Agitator Shaft	665241-4
7 Agitator Auger Flighting 8" OD (Uses 5)	43-0191-3
8 Agitator Shaft Washer (Not shown)	628021-3
9 1/4"-20 x 1" Bolt	† 50-3353-9
10 Lower Bearing Coupling	43-0169-3
QPA-310, QRA-340, QFA-291, QCA-330, Delivery Auger Assembly	
11 Delivery Auger Mounting Bracket	602444-1
12 Wingnut #8-32	† 54-8908-9
13 Delivery Auger Upper Bearing	43-0175-3
14 Delivery Auger Upper Bearing Coupling	43-0384-3
15 Clevis Pin	37-1208-3
16 Delivery Auger Shaft	000000168
17 Delivery Auger Flighting 4" OD (Uses 11)	50-3119-1
18 Lower Coupling Flight	50-3119-0
19 1/4"-20 x 1/2" Bolt	† 50-3236-9
20 1/4" Lock Washer	† 55-4511-9
QPA-310, QRA-340, QFA-291, QCA-330, Bearing Assembly	
21 Cap Screws 1/4"-20 x 2 1/8"	50-1325-3
22 Bearing Housing Assembly	† 76-2337-3
23 Bearing Gasket	37-1816-3
24 Bearing Mounting Plate	602813-1
25 Bearing Housing Assembly w/Shaft	76-2314-3
26 Retaining Pin	37-1032-3

† Refer to Cross Reference Guide

QPA-310, QRA-340, QFA-291, QCA-330 BASE ASSEMBLY



pt1216g

QPA-310, QRA-340, QFA-291, QCA-330 BASE ASSEMBLY, CONTINUED

DESCRIPTION	PART NO.
1 Drive Motor/Gear Reducer Assy. QPA-310, QRA-340, QFA-291, QCA-330	
a. Assembly 115V/60Hz	† 76-2681-3
b. Drive Motor Only 115V/60Hz	76-2680-3
c. Run Capacitor 115V/60Hz	85-0481-3
d. Assembly 220/240V/50Hz.	† 76-2683-3
e. Drive Motor Only 220/240V/50Hz	76-2682-3
f. Run Capacitor 220/240V/50Hz	† 85-0341-3
Gear Reducer cannot be ordered separately.	
2 Relay	† 76-2685-3
3 Drive Pulley	37-4008-3
4 Belt Tension Pulley.	43-0172-3
a. Washer (Not shown)	† 55-7339-9
b. Screw (Not shown)	50-2563-3
5 Delivery Auger Pulley.	37-4012-3
a. Roll Pin	† 37-1204-9
6 Agitator Auger Pulley	37-4010-3
a. Roll Pin	† 37-1204-9
7 Drive Belt	37-0021-3
8 6' Power Supply Cord	20-3067-3
9 Drain Fitting 1/2" FPT.	87-0608-3
a. Vinyl Tubing 5/8" ID – 7/8" OD (Not shown)	† 44-2038-3
10 Wiring Harness (Not shown Q3 10, Q330, Q340 Only)	20-3260-3
Q291	
11 Wiring Harness (Not shown)	20-3261-3
12 Water Inlet Female Wing Adapter	† 87-0609-3
a. Male Water Inlet Compression Nut (Not shown).	13-6096-1
b. Polyflow Tubing 1/4" OD (Not shown).	44-2029-1
13 Water Inlet Valve	
a. Water Inlet Valve Assembly Including 115V 50/60 Cycle Coil.	† 000000377
b. Water Inlet Valve 115V 50/60 Cycle Coil Only	000002048
c. Water Inlet Valve Assembly Including 220-240V 50/60 Cycle Coil	† 000000378
d. Water Inlet Valve 220-240V 50/60 Cycle Coil Only	000002049
QPA-310, QRA-340, QFA-291, QCA-330 Miscellaneous – Brackets, Screws, etc.	
14 Gear Box Angle Bracket Assembly	602610-1
15 Screw 5/16" – 18 x 5/8" Machine	† 50-3565-9
16 Lockwasher 5/16" Split.	† 55-7313-9
17 Bushing 7/8" OD	† 25-0140-9
18 Run Capacitor Mounting Bracket	601353-1
19 Spring Tension Lock Bracket	630381-4
20 Tension Spring	33-0016-3
21 Tension Lock Bracket.	630391-4
22 Tension Bracket Guide.	629681-4
23 Belt Tension Pulley Mounting Bracket	665841-4
24 Screw #10-24 x 1/2".	† 52-0206-9
25 Gear Motor Lock Bracket.	628101-4
26 Door Support Bracket.	602346-1
27 Control Box Cover (Not shown)	665121-4
28 Lower Back Panel (Not shown)	602455-1

† Refer to Cross Reference Guide

INTENTIONALLY LEFT BLANK