



**Ice Machine Parts List for
Series Q Dispensers Models***

QFA-291

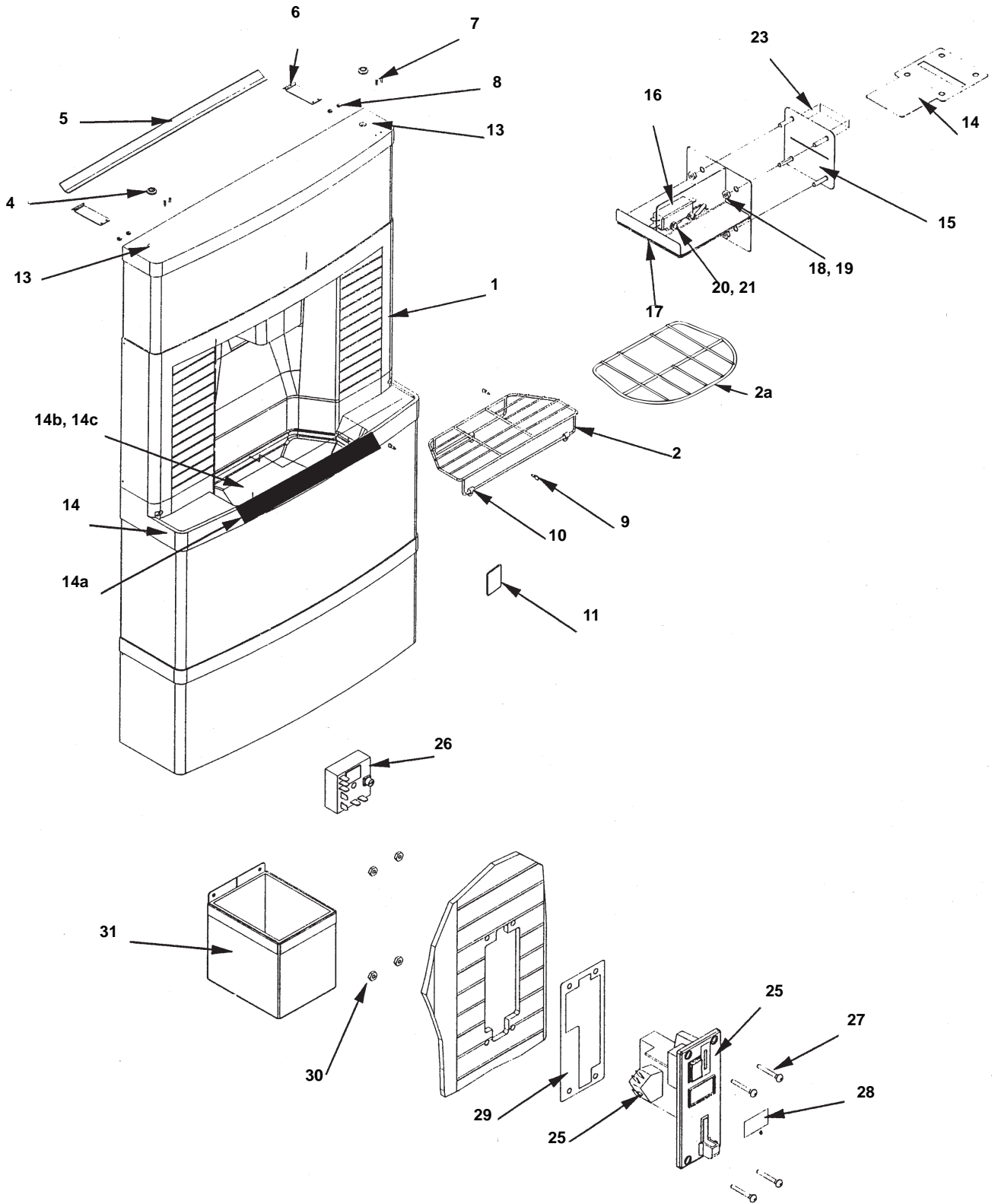
QRA-340

QPA-310

QCA-330

***Covers serial numbers 980565665 to 980565692, 981062223 to 981062252,
and all serial numbers after 981063560.**

QPA-310, QRA-340, QFA-291, QCA-330 DOOR ASSEMBLY

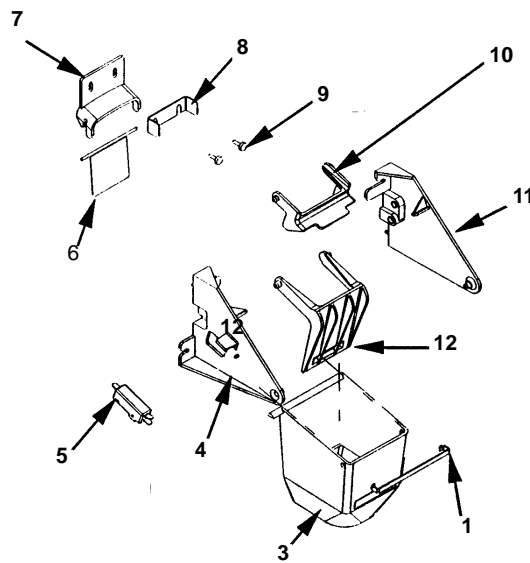
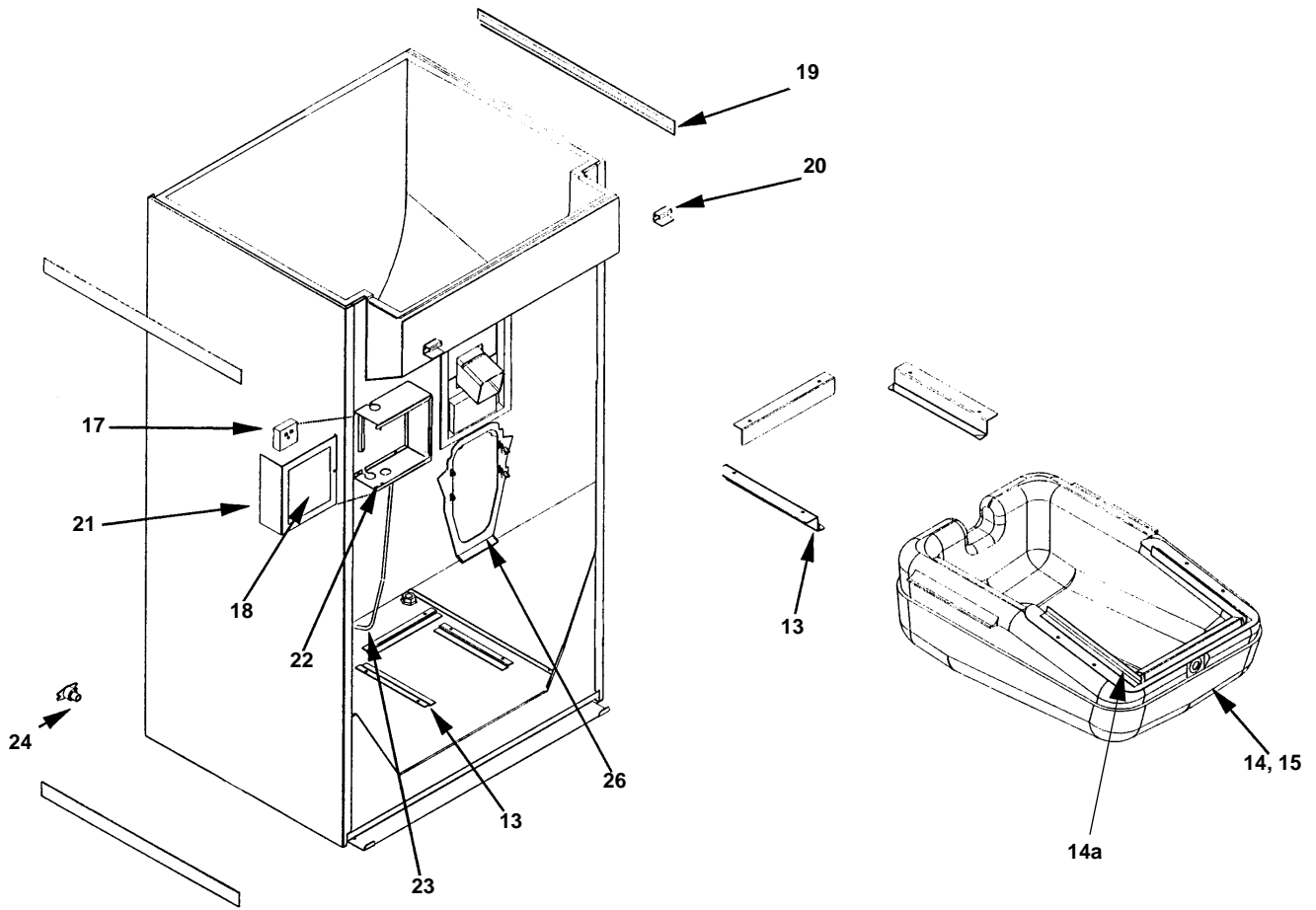


QPA-310, QRA-340, QFA-291, QCA-330 DOOR ASSEMBLY, CONTINUED

| DESCRIPTION | PART NO. | |
|--------------------------------------------------------------------------|--------------|---------------------|
| | New Part | Old Part |
| 1 Main Door Assembly | | |
| a. QPA-310 Rocking Chute | 5011731 | 97-5000-3 |
| b. QFA-291 Push Button Glass Fill | 5011736 | 97-5001-3 |
| c. QCA-330 Coin Chute | | No Longer Available |
| d. QRA-340 Room Card | | No Longer Available |
| 2 Wire Grill | 5007348 | † 97-5002-3 |
| 2a Wire Grill | 5012970 | 97-5097-3 |
| 3 Water Fill Valve (not shown) | 202-FN-SLB-B | 97-5010-3 |
| a. Bracket Water Fill Valve after SN010464077 | 5012105 | 97-5094-3 |
| b. Bracket Water Fill Valve up to SN010464077 | | No Longer Available |
| c. Water Valve Lever | 516-06 | 000000558 |
| d. Lever Retainer Clip | 517-00 | 000001024 |
| QPA-310, QRA-340, QFA-291, Miscellaneous – Brackets, Screws, etc. | | |
| 4 Grommet 5/8" Top Mount | 5008096 | 97-5003-3 |
| 5 Gasket Top Front Panel | 5008624 | 97-5004-3 |
| 6 Latch Top Mount | 5008068 | 97-5005-3 |
| 7 Stud #6-32 x 5/16" Pin FHS | 5008634 | No Longer Available |
| 8 Nut #6-32 Hes SS | 0902101 | 97-5007-3 |
| 9 Thumbscrew | 5008075 | 97-5008-3 |
| 10 Clamp 3/16" Grid Black | 5007667 | 97-5009-3 |
| 11 Label Manitowoc Logo | same | 81-3577-3 |
| 12 Carton Assembly (without pallet) | 5007538 | 97-5063-3 |
| a. Carton Pallet | 5008373 | |
| 13 Door Lock | same | 97-5073-3 |
| 14 Sink Basin With Wearguard | | No Longer Available |
| a. Stainless Steel Sink Basin Wearguard | 5011995 | 97-5091-3 |
| b. Sink Basin Insert up to SN010464077 | | No Longer Available |
| c. Sink Basin Insert starting SN010464077 to SN010861616 | same | 97-5071-3 |
| QRA-340 | | |
| 15 Plate Front | 5008271 | 97-5080-3 |
| 16 Switch | 5008269 | 97-5081-3 |
| 17 Bracket | 5008270 | 97-5082-3 |
| 18 Nut 8-32 Hex SS | 0902103 | 97-5083-3 |
| 19 Washer Star #8 SS | 0901915 | 97-5084-3 |
| 20 Nut 6-32 Kept HH SS | 88000087 | 97-5085-3 |
| 21 Screw 6-32 x 1" SS PH RH MS | 0900901 | 97-5086-3 |
| 22 Wiring Harness (not shown) | 5008267 | 97-5087-3 |
| 23 Insert Card Label | 5008455 | 97-5088-3 |
| 24 Wiring Diagram Label (QRA-340) (not shown) | 5008272 | 97-5089-3 |
| QCA-330 | | |
| 25 Coin Mechanism with Microswitch | 5008313 | 97-5056-3 |
| 26 Timer, Coin Mechanism 115V | 5008325 | 97-5057-3 |
| Timer, Coin Mechanism 230V | 5009453 | 97-5060-3 |
| 27 Bolt Carriage 8-32 x 1" Black | 5008370 | 97-5078-3 |
| 28 Coin Mechanism Label | 5009899 | 97-5076-3 |
| 29 Plate | 5008379 | 97-5077-3 |
| 30 Nut Kept 42 | 00201803 | 97-5074-3 |
| 31 Coin Box | same | 97-5075-3 |

† Refer to Cross Reference Guide

QPA-310, QRA-340, QFA-291, QCA-330 CABINET ASSEMBLY



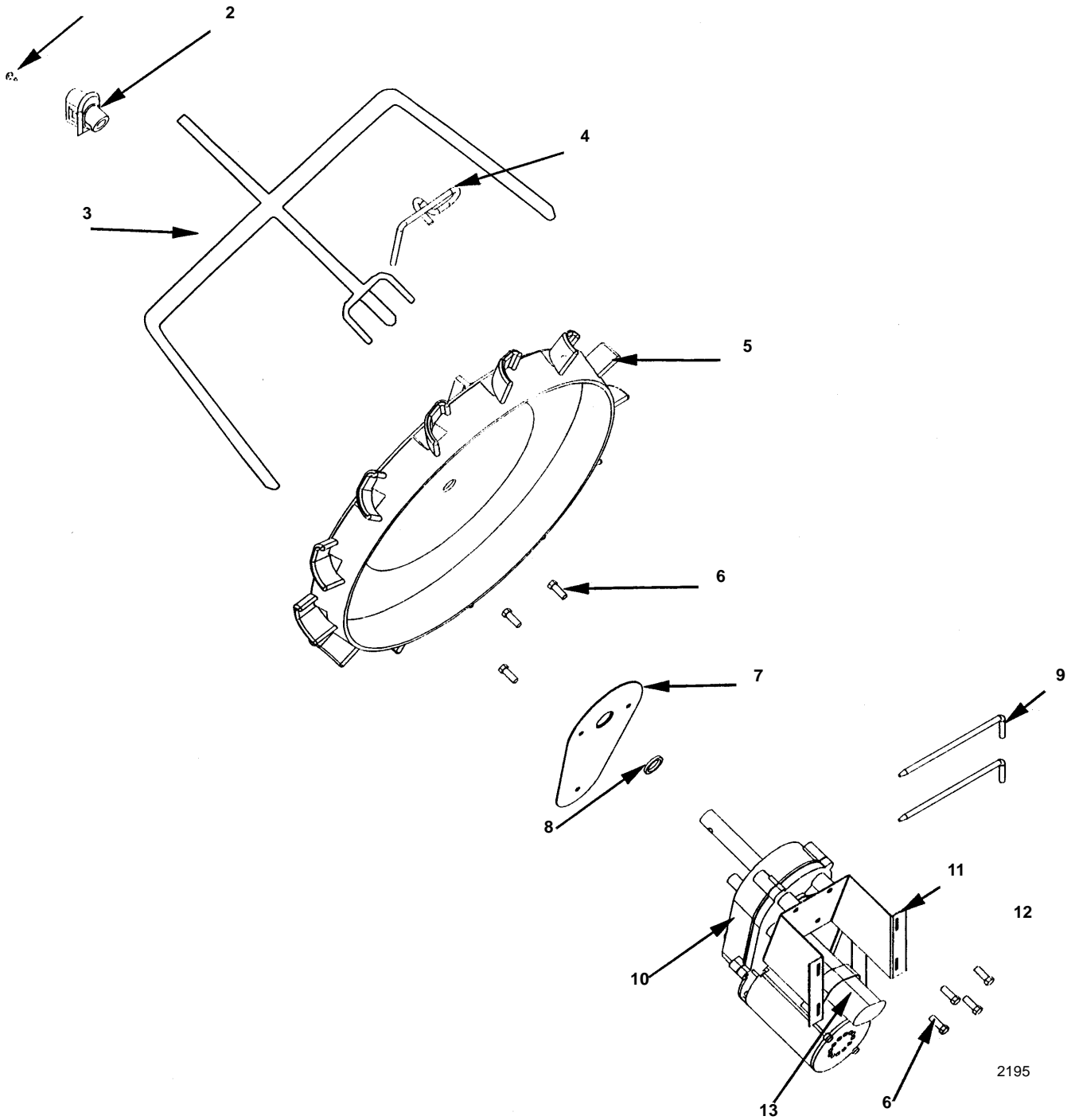
2193

QPA-310, QRA-340, QFA-291, QCA-330 CABINET ASSEMBLY, CONTINUED

| DESCRIPTION | PART NO. | |
|----------------------------------------------------------------------------------|----------|---------------------|
| | New Part | Old Part |
| ROCKING CHUTE ASSEMBLY | | |
| 1 Bracket Rocking Chute Outer | 5031384 | 97-5011-3 |
| 2 Label "Push For Ice". | 0301298 | 97-5012-3 |
| 3 Rocking Chute | 5007355 | 97-5013-3 |
| 4 Bracket Rocking Chute Door Left Hand | 5002507 | 97-5014-3 |
| 5 Microswitch | 1000703 | 97-5015-3 |
| 6 Door Finger Guard | 5011788 | 97-5016-3 |
| 7 Retainer Guard. | 5007662 | 97-5017-3 |
| 8 Retainer Door. | 5008112 | 97-5018-3 |
| 9 Screw #8-32 x 1/2" Knurl w/o Slot | 5000711 | 97-5019-3 |
| 10 Lock Rocking Chute Door | 5002509 | 97-5020-3 |
| 11 Bracket Rocking Chute Door Right Hand. | 5002657 | 97-5021-3 |
| 12 Door Rocking Chute. | 5002508 | 97-5022-3 |
| QPA-310, QRA-340, QFA-291, QCA-330 Drain Pan Assembly | | |
| 13 Bracket Drainpan Support | 5008820 | 97-5023-3 |
| 14 Drain Pan Assembly (Replaces 2 piece Drain Pan). | 5010422 | 97-5067-3 |
| a. Drain Pan Gasket | 5029365 | 000000560 |
| 15 Drain Pan (Replaces 1 piece Drain Pan) | 5010422 | 97-5067-3 |
| 16 Tubing Drain w/Insulation. | 5008162 | 97-5026-3 |
| QPA-310, QRA-340, QFA-291, QCA-330 Electrical | | |
| 17 Timer Agitation | same | 020000222 |
| 18 Label Wiring Diagram. | same | 97-5028-3 |
| QPA-310, QRA-340, QFA-291, QCA-330 Miscellaneous – Brackets, Screws, etc. | | |
| 19 Trim Decorative | 5007847 | 97-5029-3 |
| 20 Clasp Top Mount | | No Longer Available |
| 21 Cover Electrical Box. | 7050073 | 97-5031-3 |
| 22 Box RC Electrical | 5003611 | 97-5032-3 |
| 23 Cord Electrical | 5008642 | 97-5033-3 |
| 24 Fitting 1/2" Brass | same | 87-0608-3 |
| 25 Baffle (not shown) | 5007892 | 76-2931-3 |
| 26 Motor Pin Retaining Bracket | 5010220 | † 97-5065-9 |
| 27 Micro Switch for Coin Mechanism | | No Longer Available |

† Refer to Cross Reference Guide

QPA-310, QRA-340, QFA-291, QCA-330 PADDLE WHEEL ASSEMBLY



2195

QPA-310, QRA-340, QFA-291, QCA-330 PADDLE WHEEL ASSEMBLY, CONTINUED

| DESCRIPTION | PART NO. | |
|----------------------------------------------------|----------|-----------------------|
| | New Part | Old Part |
| 1 Screw #8 x 3/4" SS PH TR HD | 5011940 | 97-5035-3 |
| 2 Bushing Mushroom | 0101702 | 97-5036-3 |
| 3 Agitator | 5009560 | 97-5037-3 |
| 4 Pin 9.75 SS Agitator Removal | 5010452 | 97-5038-3 |
| 5 Paddle Wheel | 2601415 | 97-5039-3 |
| 6 Bolt 1/4 -20 x 5/8" SS HHCS | 0900601 | 97-5040-3 |
| 7 Motor Insulator | 5007342 | 97-5041-3 |
| 8 Seal Oil #7410 3/4" | | Included in 97-5041-3 |
| 9 Pin Retaining | 4140023 | 97-5043-3 |
| 10 Motor/Reducer AO-62 (115V/60 Hz) | 5000868 | 97-5044-3 |
| 10a Motor/Reducer AO-62 (220/240V, 50/60 Hz) | 5000869 | 97-5055-3 |
| 11 Motor Mount | 5001776 | 97-5045-3 |
| 12 Washer Lock 1/4" SS | 0901904 | 97-5046-3 |
| 13 Capacitor 4 MF 440 VAC | 5008398 | 97-5058-3 |
| 13a Capacitor 120V | 5008877 | 97-5061-3 |

INTENTIONALLY LEFT BLANK