



## **Ice Machine Parts List for Series S450 Models**

**SD0452A**

**SY0454A**

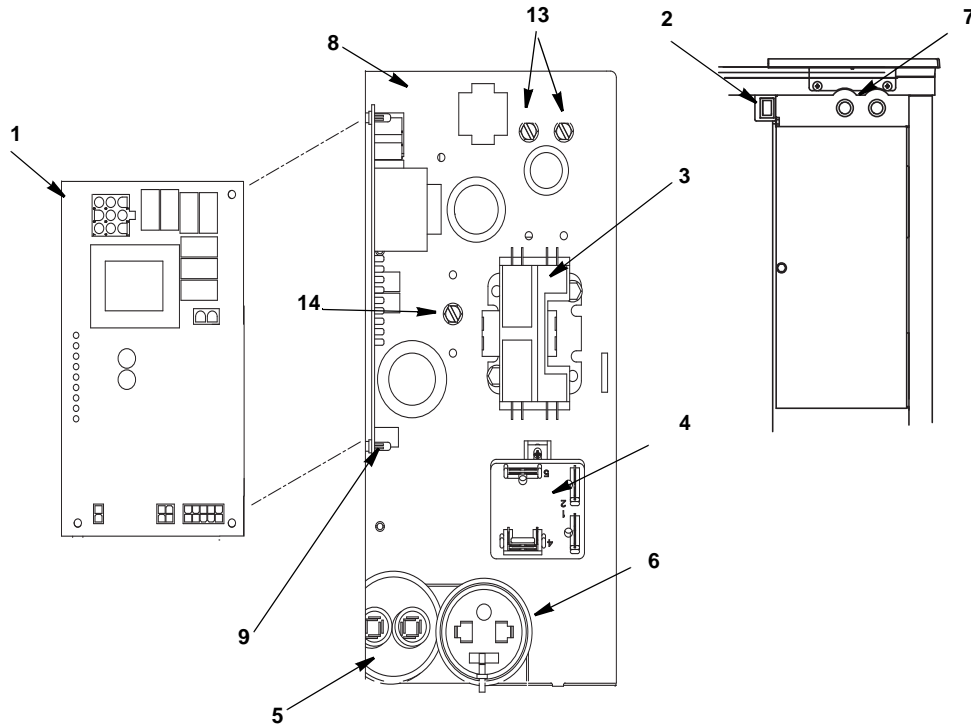
**SD0453W**

**SY0455W**

**SR0450A**

**SR0451W**

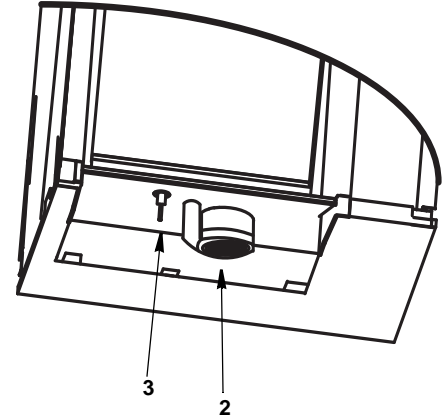
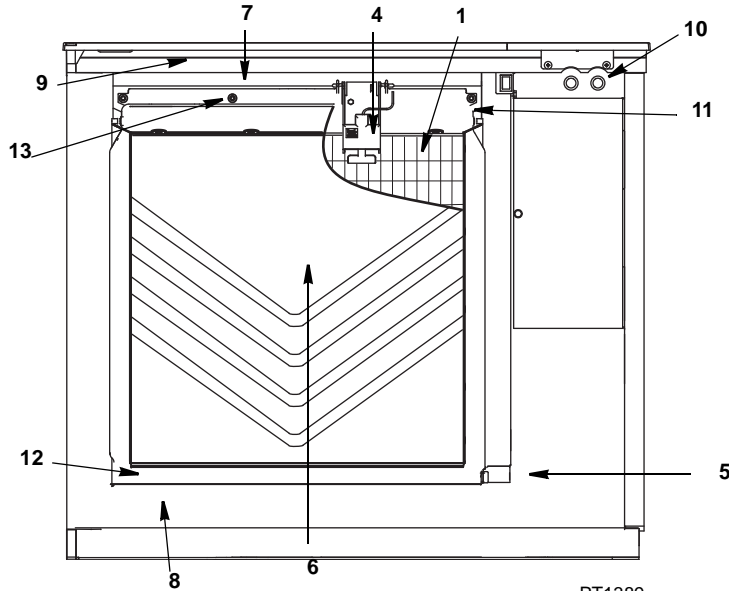
# S450 CONTROL BOX



PT1388

1	<b>Control Board</b> (for use with all voltages) . . . . .	20-0619-9
	a. 7 Amp Fuse – Mounted on Control Board . . . . .	25-1100-3
2	<b>Toggle Switch</b> Only . . . . .	20-0793-9
	a. Toggle Switch Wiring Harness . . . . .	20-0807-9
	b. Toggle Switch Box . . . . .	40-1163-9
3	<b>Contactor</b>	
	a. 115V/60 Hz/1 Ph. . . . .	20-0658-9
	b. 208-230V/60 Hz/1 Ph 230V/50 Hz/1 Ph . . . . .	20-0659-9
4	<b>Potential Start Relay</b>	
	115V/60 Hz/1 Ph. . . . .	20-0205-3
	208-230V/50/60 Hz/1 Ph . . . . .	20-0792-9
	a. 60 cycle Only - Danfoss SC18MLX.3 - Before Serial Number 110667970 . . . . .	20-0763-9
5	<b>Compressor Run Capacitor</b>	
	115V/60 Hz/1 Ph. . . . .	20-1014-3
	208-230V/50/60 Hz/1 Ph	
	a. Danfoss SC15MLX.2 - Before Serial Number 110667970 . . . . .	85-0400-3
	b. Danfoss SC18MLX.3 - Before Serial Number 110667970 . . . . .	20-0949-3
	c. After Serial Number 110667970 . . . . .	85-0400-3
6	<b>Start Capacitor</b>	
	115V/60 Hz/1 Ph. . . . .	85-0577-3
	208-230V/50/60 Hz/1 Ph	
	a. Danfoss SC15MLX.2 - Before Serial Number 110667970 . . . . .	000000022
	b. Danfoss SC18MLX.3 - Before Serial Number 110667970 . . . . .	000000022
	c. After Serial Number 110667970 . . . . .	85-0383-3
7	<b>Refrigeration Service Valve Assembly</b> . . . . .	83-7326-3
<b>Miscellaneous – Brackets, Screws, etc.</b>		
8	Control Box - control board (Not shown) . . . . .	606390-9
	a. Control Box Side Cover (Not shown) . . . . .	76-0273-9
	b. Control Box Front Cover (Not shown) . . . . .	606392-9
9	Control Board Mounting Supports (Not shown) . . . . .	43-0225-3
10	Control Board Bushings . . . . .	25-0016-9
11	Start Components Electrical Box . . . . .	606394-9
	a. Start Components Electrical Box Cover . . . . .	76-0272-9
12	Capacitor Mounting Strap . . . . .	50-0530-9
13	Screw, #10-24 x .50 Ground. . . . .	52-0216-9
	a. Star Washer . . . . .	55-7320-9
14	Screw, #10-24 x .50 . . . . .	52-0206-9
15	Control Box Wiring Harness (Not shown)	
	a. 115/60/1 . . . . .	20-0859-9
	b. 230/60/1 . . . . .	20-0860-9
	c. 230/50/1 . . . . .	20-0861-9
	d. Ground Wire . . . . .	20-0869-9

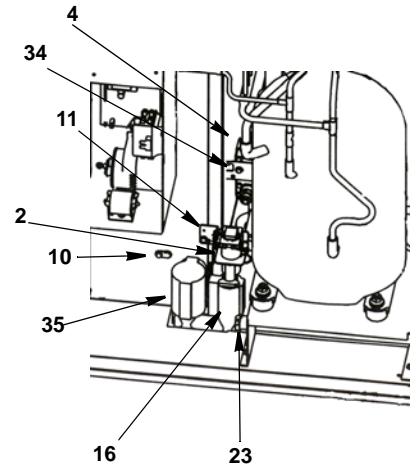
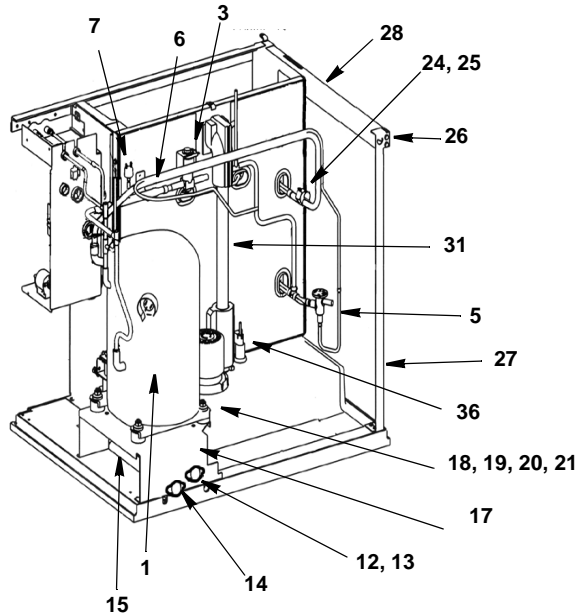
## S450 EVAPORATOR COMPARTMENT



### DESCRIPTION

	PART NO.
<b>1 Evaporator Assembly</b>	
a. Dice Cube . . . . .	76-0287-9
b. Half Dice Cube . . . . .	76-0288-9
<b>2 Water Pump</b>	
a. 115V/60/1 PH . . . . .	20-0892-9
b. 230V/60/1 PH . . . . .	20-0893-9
c. 230V/50/1 PH . . . . .	20-0894-9
<b>3 Water Level Probe</b> . . . . .	20-0654-9
a. Wire, control box to probe . . . . .	20-0798-9
<b>4 Ice Thickness Control Probe</b> . . . . .	20-0802-9
<b>5 Magnetic Bin Switch</b> . . . . .	20-0681-9
<b>6 Water Curtain</b> . . . . .	40-1118-9
<b>7 Water Distribution Assembly</b> . . . . .	76-0278-9
a. O-Rings (Back of Distribution Assembly) . . . . .	50-0464-9
<b>8 Water Trough</b>	
a. Before Serial Number 110670157 . . . . .	40-0360-9
b. After Serial Number 110670157 . . . . .	000002106
<b>9 Evaporator Top Filler Panel</b> . . . . .	40-0846-9
a. Filler Panel Bracket . . . . .	606333-9
b. Bracket Screw . . . . .	52-0209-9
<b>10 Access Valve</b> . . . . .	83-7326-3
<b>11 Evaporator Top Frame Assembly</b> . . . . .	76-0279-9
<b>12 Water Diverter</b> . . . . .	76-0277-9
<b>Miscellaneous – Brackets, Screws, etc.</b>	
<b>13 Screw, (Water Distribution Tube Mounting) Each</b> . . . . .	50-0479-9
a. O-Ring . . . . .	50-0462-9
<b>14 Screw, #12-16 x .687 (Used to Mount Evaporator) Each</b> . . . . .	50-0461-9
<b>15 Water Pump Base O-Ring</b> . . . . .	50-0465-9
<b>16 Water Pump Outlet O-Ring</b> . . . . .	50-0467-9
<b>17 Vinyl Tubing 0.625 ID (dump valve to drain adapter)</b> . . . . .	000001382
a. Insulation . . . . .	603883-1

## S450 REFRIGERATION COMPARTMENT – COMMON PARTS



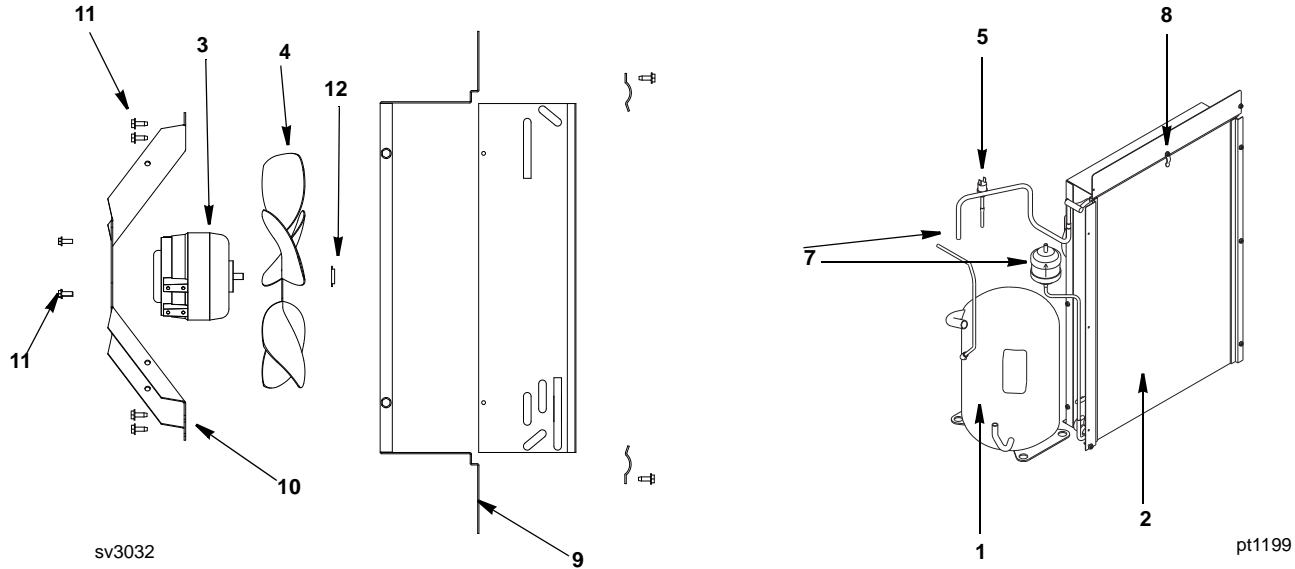
### DESCRIPTION

		PART NO.
<b>1</b>	<b>Compressor</b>	
	<b>115V/60 Hz/1 Ph</b>	
	a. Before Serial Number 110670157 . . . . .	76-0294-3
	Overload . . . . .	82-5297-3
	b. After Serial Number 110670157 . . . . .	000003919
	Overload . . . . .	82-5140-3
	<b>208-230V/60 Hz/1 Ph</b>	
	a. Before Serial Number 110670157 . . . . .	76-0295-3
	b. After Serial Number 110670157 . . . . .	000003920
	<b>208-230V/50 Hz/1 Ph</b>	
	a. Before Serial Number 110670157 . . . . .	76-0296-3
	b. After Serial Number 110670157 . . . . .	000003920
<b>2</b>	<b>Water Dump Valve</b>	
	a. 115V/60 Hz . . . . .	000001767
	b. 208-230V/50-60 Hz . . . . .	000001768
	<b>Dump Valve Rebuild Kit . . . . .</b>	No Longer Available
<b>3</b>	<b>Harvest Valve Including Electrical Coil</b>	
	a. 115V/60 Hz . . . . .	76-3001-1
	b. 208-230V/50-60 Hz . . . . .	76-3007-1
	<b>Harvest Valve Coil Only</b>	
	a. 115V/60 Hz . . . . .	000002048
	b. 208-230V/50-60 Hz . . . . .	000002049
<b>4</b>	<b>Water Inlet Valve with Coil</b>	
	a. 115V/60 Hz . . . . .	000000377
	b. 208-230V/50/60 Hz . . . . .	000000378
<b>5</b>	<b>Expansion Valve</b>	
	a. Before Serial Number 110670157 . . . . .	76-0286-9
	b. After Serial Number 110670157 . . . . .	76-0290-3
	c. Expansion Valve Body Insulation Boot . . . . .	40-1329-9
	d. Expansion Valve Bulb Insulation Boot . . . . .	40-0720-3
<b>6</b>	Manifold Strainer (in front of hot gas valve) . . . . .	82-5100-3
<b>7</b>	High Pressure Cut-out (Auto Reset) . . . . .	20-0124-3
<b>8</b>	<b>Electrical Box on Rear of Ice Machine</b>	
	a. Box . . . . .	Included in Back Panel Assembly
	b. Terminal Block 3 Pole . . . . .	20-0614-3
	c. Groundscrew #10-24 x .50 . . . . .	52-0216-9
<b>9</b>	<b>Compressor Compartment Wiring Harness</b>	
	a. Water . . . . .	20-0732-9
	b. Air . . . . .	20-0731-9
<b>10</b>	Bin Switch . . . . .	20-0681-9

**Miscellaneous – Brackets, Screws, etc.**

11	Dump Valve Mounting Bracket . . . . .	605845-9
12	Water Inlet Valve Wing Adapter . . . . .	87-0609-3
13	Water Inlet Valve Wing Adapter Plastic Fitting . . . . .	13-6096-1
14	Water Drain Female Wing Adapter . . . . .	87-0608-3
15	Water Drain Clear Tubing, .625 ID x 12 inches . . . . .	44-2038-3
16	Dump Valve Tubing (3.25 inches) . . . . .	44-2038-3
17	Compressor Mounting Base . . . . .	606170-9
18	Compressor Mounting Rubber Grommet . . . . .	50-0089-9
19	Compressor Mounting Sleeve . . . . .	50-0090-9
20	Compressor Mounting Screw 1/4-20 x 1 1/4 . . . . .	50-0499-9
21	Compressor Mounting Nut . . . . .	50-0500-9
22	Compressor Wiring Harness (Not Shown) . . . . .	20-0855-9
23	Clamp, Water Drain . . . . .	56-5070-9
24	Clamp, Expansion Valve Bulb . . . . .	56-5052-9
25	Copper Bulb Strap . . . . .	30-0083-3
26	Screw, #10-24 x .50 . . . . .	52-0206-9
27	Left Corner Post	
	a. Air . . . . .	606190-9
	b. Water . . . . .	606293-9
28	Left Top Channel . . . . .	606864-9
29	Right Corner Post (Not Shown) . . . . .	606292-9
30	Right Top Channel (Not Shown) . . . . .	606257-9
31	Overmolded Tube Assembly (vinyl tubing from distribution tube to water pump & dump valve) . . . . .	000000869
	a. Clamp .859/.989 ID . . . . .	56-5060-3
	b. Clamp .799/.899 ID . . . . .	56-5070-3
32	Water Inlet Valve Tubing (Not Shown) . . . . .	40-1043-9
33	Connector (Water inlet valve) . . . . .	13-6098-9
34	Water Inlet Valve Bracket . . . . .	605845-9
35	<b>Check Valve Replacement</b> (includes water diverter, vinyl tubing & insulation) . . . . .	000002472
36	Holder, Water Level Probe . . . . .	20-0655-9
	a. Screw (mounts Water Level Probe Holder) . . . . .	52-0206-9

## S450 REFRIGERATION COMPARTMENT – AIR-COOLED



### DESCRIPTION

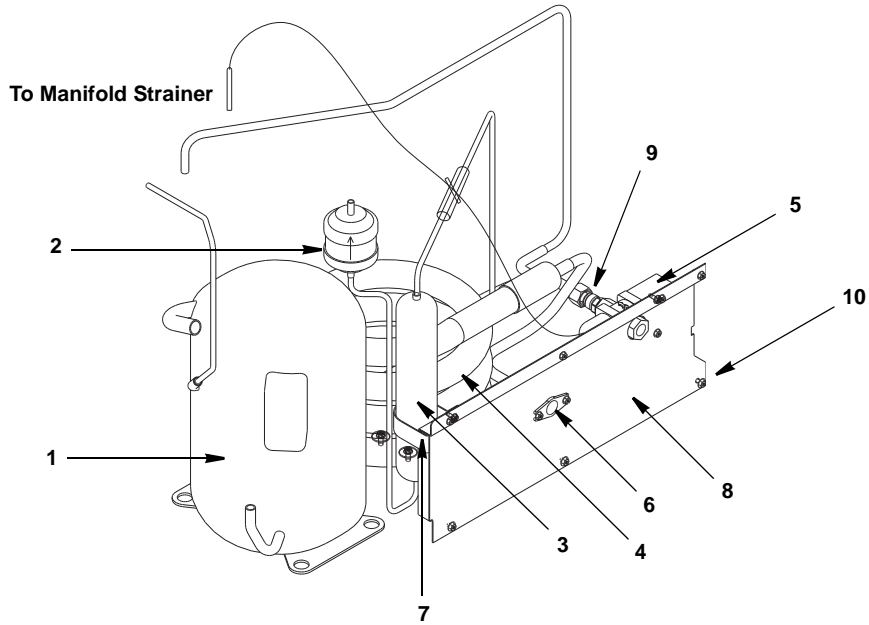
		<b>PART NO.</b>
1	Compressor (Refer to COMMON PARTS Page)	Page S450-4
2	Air Condenser	82-5212-9
3	Fan Motor	
	a. 115V/60 Hz	24-1292-9
	b. 208-230V/60 Hz or 230V/50 Hz.	24-1293-9
4	Fan Blade	24-1620-3
5	Fan Cycling Control	† 20-0126-3
6	Air Filter (Not shown)	30-0593-3
7	Drier	89-3025-9

### Miscellaneous – Brackets, Screws, etc.

8	Air Filter Clip	† 56-5069-9
9	Fan Shroud	606168-9
10	Fan Motor Mounting Bracket	607246-1
11	Screw, #10-24 x .50	† 52-0206-9
12	Hex Nut #8-32	54-2913-9

† Refer to Cross Reference Guide

## S450 REFRIGERATION COMPARTMENT – WATER-COOLED



pt1200

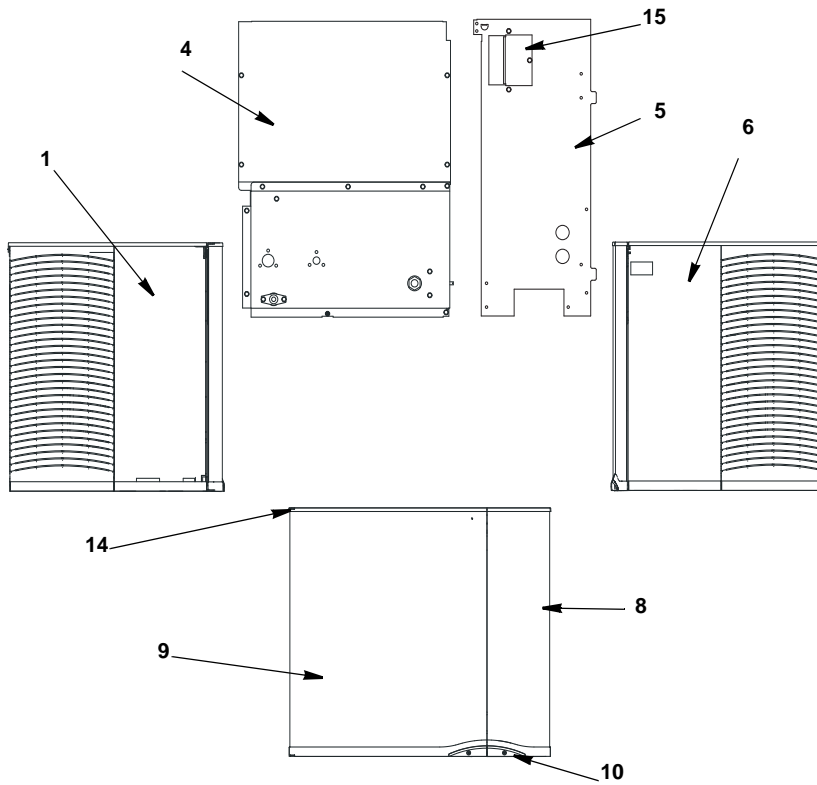
### DESCRIPTION

DESCRIPTION	PART NO.
1 Compressor (Refer to COMMON PARTS Page) . . . . .	Page S450-4
2 Drier . . . . .	89-3025-9
3 Receiver . . . . .	12-0003-1
4 Water-cooled Condenser . . . . .	88-6532-3
5 Water Regulating Valve . . . . .	83-7206-9
6 Water Drain Female Wing Adapter . . . . .	87-0610-3

### Miscellaneous – Brackets, Screws, etc.

7 Receiver Strap . . . . .	600054-1
8 Back Panel . . . . .	606173-9
9 Elbow 3/8 MF x 3/8 MPT . . . . .	50-0215-9
10 Screw, #10-24 x .50 . . . . .	52-0206-3
11 Washer . . . . .	55-7341-9
12 Base, Water Condenser/Receiver . . . . .	605865-9

# S450 PANELS



## DESCRIPTION

	<b>DESCRIPTION</b>	<b>PART NO.</b>
1	Left Side Panel . . . . .	606053-9
2	Air Baffle (Not Shown) . . . . .	606077-9
3	Air Filter (Not Shown) . . . . .	30-0593-9
4	Back Panel, Water . . . . .	606297-9
5	Back Panel, Air . . . . .	606203-9
6	Right Side Panel . . . . .	606052-9
7	Top Cover (Not Shown)	
	a. Up to SN110095752 . . . . .	40-1154-9
	b. After SN110095752 . . . . .	40-1548-3
8	Right Door	
	a. Up to SN110095752 . . . . .	606119-9
	b. After SN110095752 . . . . .	607166-1
9	Left Door	
	a. Up to SN110095752 . . . . .	606118-9
	b. After SN110095752 . . . . .	607165-1

## Miscellaneous – Brackets, Screws, etc.

10	Right/Left Door Screw . . . . .	50-0489-9
11	Front Top Support (Not shown) . . . . .	00000295
	Mounting Screw Left Side 8-32 x 1 . . . . .	50-0537-9
	Mounting Screw Right Side 8-32 x .50 . . . . .	50-0509-9
	Front Cover Strike . . . . .	30-0602-9
12	Bottom Door Frame (Not Shown) . . . . .	76-0226-3
	a. Mounting Screw Left Side 8-32 x 1 . . . . .	50-0537-9
	b. Mounting Screw Right Side 10 x 24 x .50 PHIL . . . . .	52-0206-9
13	Door Catch Bracket (RHD) . . . . .	606236-9
	a. Mounting Screw 8-32 x .50 Phil . . . . .	50-2624-9
14	Left Door Pivot Leaf Hinge (Top or Bottom) . . . . .	30-0557-9
	a. Mounting Screw 10-24 x .5 TCS-23 PHIL/FL . . . . .	50-0537-9
15	Electrical Connection Box Cover . . . . .	Included in Back Panel Assembly
16	Sachet Holder (Not Shown - Inside Left Door) . . . . .	40-0459-3
	a. Mounting Screws 8-32 x 3/8 . . . . .	50-0479-3
17	Top Air Discharge Kit Option (replaces standard top and side panels to discharge air out of top of machine) . . . . .	K00379
	a. Top Cover Only . . . . .	000000480
	b. Left Side Panel Only . . . . .	606675-1
	c. Right Side Panel Only . . . . .	606676-1
	d. Screws 10-24 x 1/2 . . . . .	52-0209-9