



Ice Machine Parts List for Series S850C Models

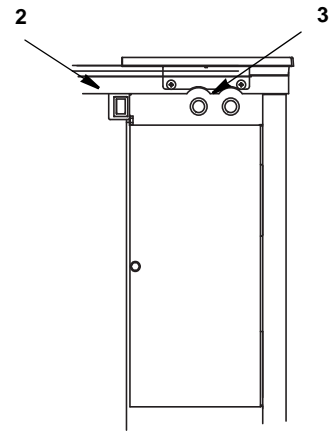
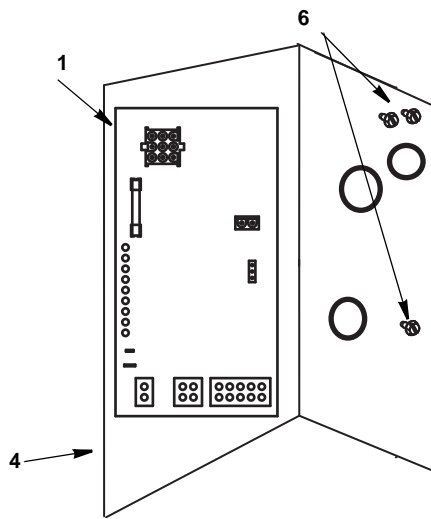
SD872C

SY874C

SR870C

CVD885

S870C CONTROL BOX



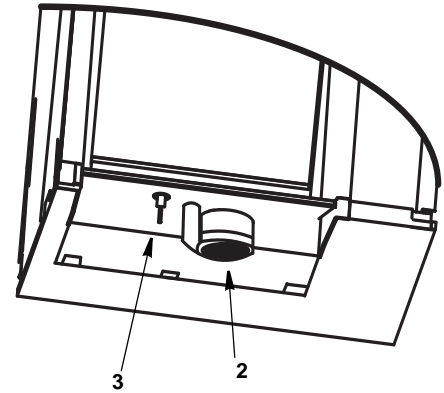
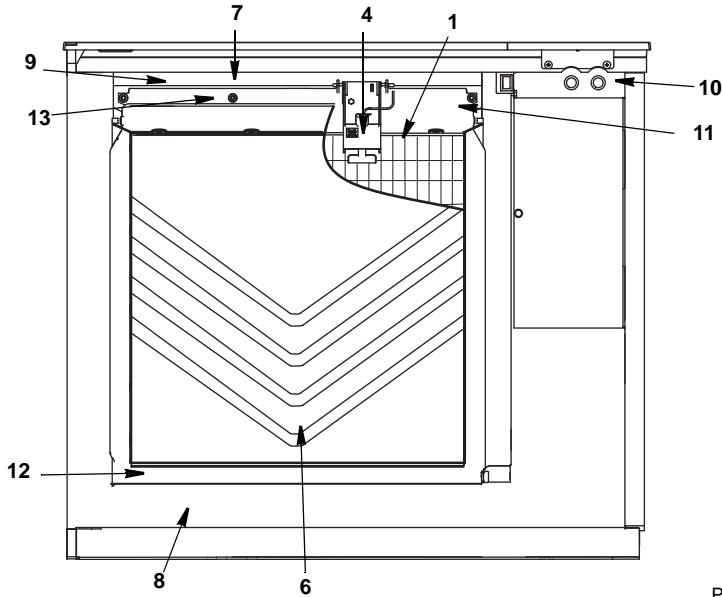
PT1392

DESCRIPTION

	PART NO.
1 Control Board (for use with all voltages)	20-0619-9
a. 7 Amp Fuse – Mounted on Control Board	25-1100-3
2 Toggle Switch Only	20-0793-9
a. Toggle Switch Wiring Harness	20-0807-9
b. Toggle Switch Box	40-1163-9
3 Refrigeration Service Valve Assembly	83-7326-3
Miscellaneous – Brackets, Screws, etc.	
4 Control Box	76-0214-3
a. Control Box Cover (Not shown)	76-0215-3
5 Control Board Mounting Supports (Not shown)	43-0225-3
6 Screw, #10-24 x .50 Ground	52-0216-9
a. Star Washer	55-7320-9
7 Control Box Wiring Harness (Not shown)	
a. 115V/60Hz/1Ph	20-0776-9
b. 230V/50Hz/1Ph	20-0777-9

† Refer to Cross Reference Guide

S870C EVAPORATOR COMPARTMENT



PT1389

PT1390

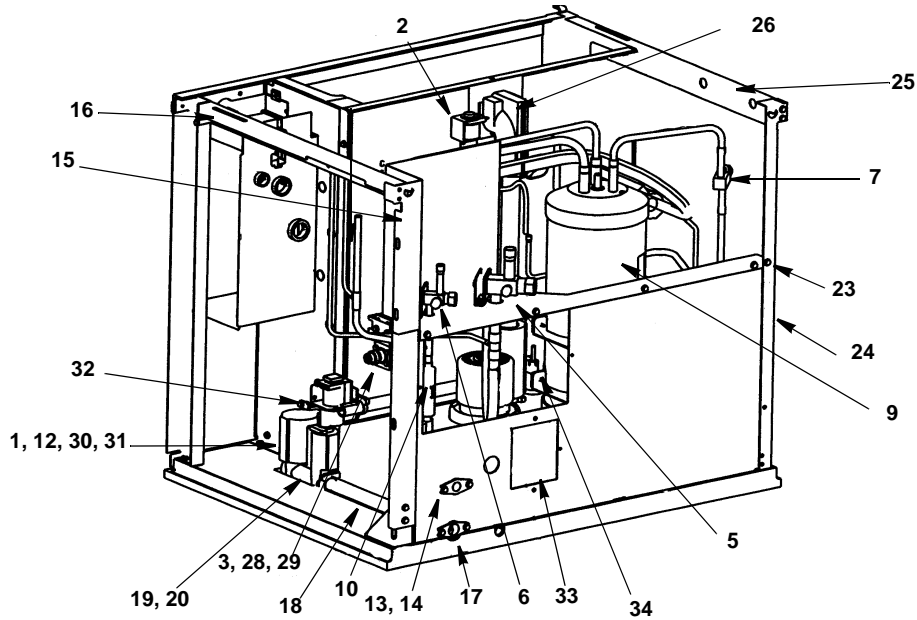
DESCRIPTION

	PART NO.
1 Evaporator Assembly	
a. Dice Cube	76-0216-3
b. Half Dice Cube	76-0217-3
c. Regular Cube	76-0218-3
2 Water Pump	
a. 115V/60Hz.	82-5226-9
b. 230V/60 Hz	82-5113-9
c. 230V/50 Hz	82-5270-9
3 Water Level Probe	20-0654-9
a. Wire control box to probe	20-0798-9
4 Ice Thickness Control Probe	20-0802-9
5 Magnetic Bin Switch	20-0681-9
6 Water Curtain	40-1098-9
7 Water Distribution Tube Assembly	76-0219-3
a. O-Rings (Back of Distribution Assembly)	50-0464-9
b. Molded Vinyl Tube (distribution tube to water pump)	40-0848-9
8 Water Trough	40-0360-9
9 Evaporator Top Filler Panel	40-0846-9
a. Stainless Steel Clamp	60-6333-9
b. Clamp Screw	52-0209-9
10 Access Valve	83-7326-3
11 Evaporator Top Frame and Gasket Assembly (Not shown)	76-0220-3
12 Water Diverter	76-0221-3

Miscellaneous – Brackets, Screws, etc.

13 Screw, Water Distribution Tube Mounting (Each)	50-0479-9
a. O-Ring	50-0462-9
14 Screw, #12-16 x .687 Used to Mount Evaporator (Each)	50-0461-9
15 Water Pump Base O-Ring	50-0465-9
16 Water Pump Outlet O-Ring	50-0467-9
17 Vinyl Tubing 0.625 ID (dump valve to drain adapter)	000001382
a. Insulation	603883-1

S870C REFRIGERATION COMPARTMENT



PT1391

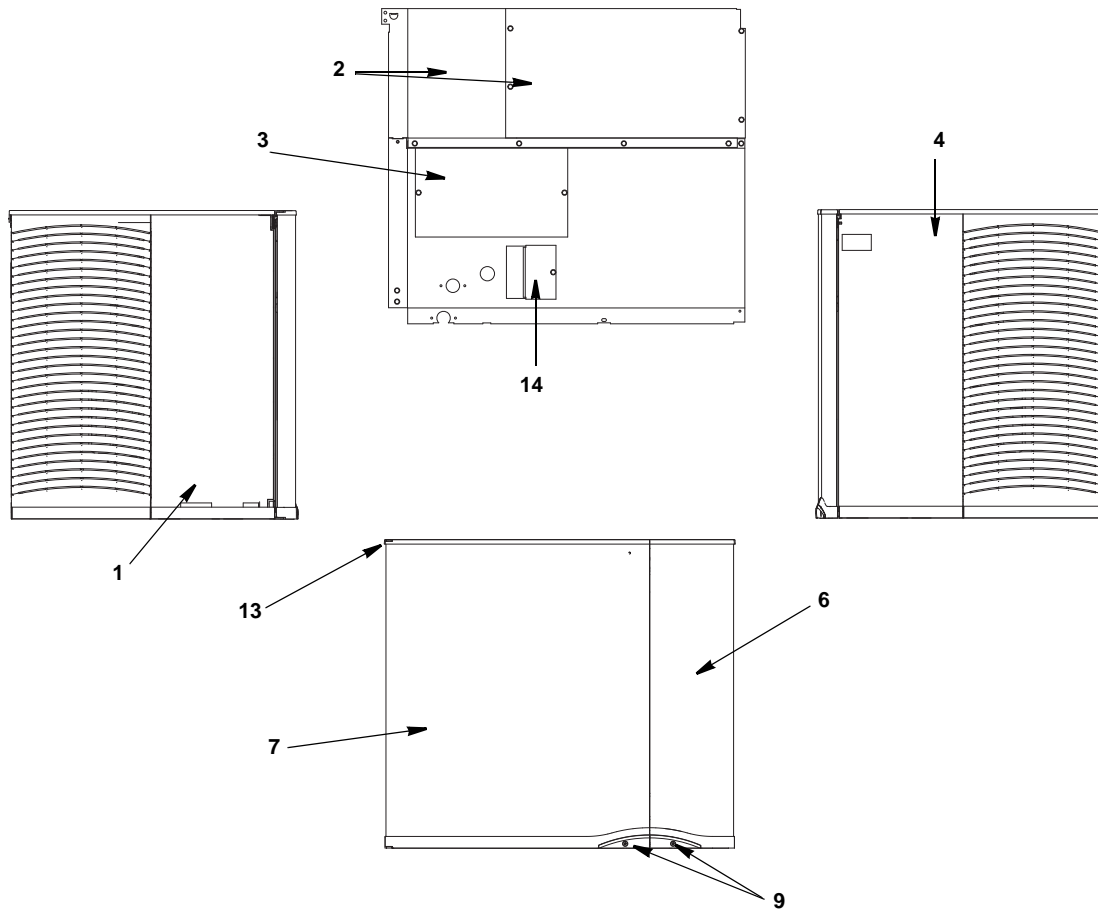
DESCRIPTION

	DESCRIPTION	PART NO.
1	Water Dump Valve	
	a. 115V/60Hz/1PH	000001767
	b. 208/230V/50/60Hz/1PH	000001768
	c. Dump Valve Rebuild Kit	No Longer Available
2	Harvest Valve	
	a. Solenoid Valve with 115/60/1 Electrical Coil (Alco)	000002788
	b. Solenoid Valve With Coil 208/230V 50/60Hz	76-3012-1
	c. 115V/60 Hz Electrical Coil Only Alco	24-0436-3
	d. 208/230V 50/60 Hz Electrical Coil Only Alco	24-0448-3
	e. 115V/60 Hz Electrical Coil Only Danfoss	000002048
	f. 208/230V 50/60 Hz Electrical Coil Only Danfoss	000002049
3	Water Inlet Valve	
	a. Water Inlet Valve Including 115V/60 Hz Coil.	000000377
	b. Water Inlet Valve Including 208/230V 50/60 Hz Electrical Coil.	000000378
4	Expansion Valve	
	a. Expansion Valve Body Insulation Boot	76-0225-3
	b. Expansion Valve Bulb Insulation Boot	40-0036-3
		40-0720-3
5	Manual Shut-off Valve Suction Line	
	a. Valve Cap	83-7330-3
	b. Insulation Boot	83-7302-3
		40-0740-3
6	Manual Shut-off Valve Liquid Line	
	a. Valve Cap	83-7329-3
		83-7302-3
7	Receiver Service Valve	
	a. Valve Cap	† 83-7316-9
		56-5075-3
8	Liquid Line Solenoid Valve	
	a. Liquid Line Solenoid Valve Including 115V/60 Hz Coil (Danfoss)	76-3000-1
	b. 115V/60 Hz Coil Only Danfoss	000002048
	c. Liquid Line Solenoid Valve Including 208/230V 50/60 Hz Electrical Coil (Danfoss)	76-3006-1
	d. 208/230V 50/60 Hz Coil Only Danfoss	000002049
9	Receiver	76-2959-3
10	Check Valve	† 83-7314-9
11	Drier	† 89-3027-9

Miscellaneous – Brackets, Screws, etc.

12	Dump Valve Mounting Bracket	605845-9
13	Water Inlet Valve Wing Adapter	87-0608-3
14	Water Inlet Valve Wing Adapter Plastic Fitting	13-6096-1
15	Right Corner Post	606177-9
16	Right Top Channel	606257-9
17	Water Drain Female Wing Adapter	87-0609-3
18	Water Drain Clear Tubing, .625 ID x 12 inches.	44-2038-9
19	Dump Valve Tubing (3.25 Inches).	44-2038-3
20	Clamp, Water Drain	56-5070-9
21	Clamp, Expansion Valve Bulb.	56-5052-9
22	Copper Bulb Strap	30-0050-3
23	Screw, #10-24 x .50	52-0206-9
24	Left Corner Post Weldment.	606865-9
25	Left Top Channel.	606864-9
26	Overmolded Tube Assembly (vinyl tubing from distribution tube to water pump & dump valve)	000000870
	a. Clamp .859/.989 ID	56-5060-3
	b. Clamp .799/.899 ID	56-5070-3
27	Water Inlet Valve Tubing	40-1043-9
28	Connector (Water Inlet Valve).	13-6098-9
29	Water Inlet Valve Bracket	605845-9
30	Check Valve Replacement (includes water diverter, vinyl tubing & insulation).	000002473
31	Check Valve O-Ring	50-0463-9
32	Bin Switch	20-0681-9
33	Electrical Box on Rear of Ice Machine	
	a. Box	Included in Back Panel Assembly
	b. Terminal Block 3 Pole	20-0614-9
	c. Groundscrew #10-24 x .50	52-0216-9
34	Holder Water Level Probe.	20-0655-9
	a. Screw To Mount Water Level Probe Holder	52-0209-9

S870C HEAD SECTION PANELS



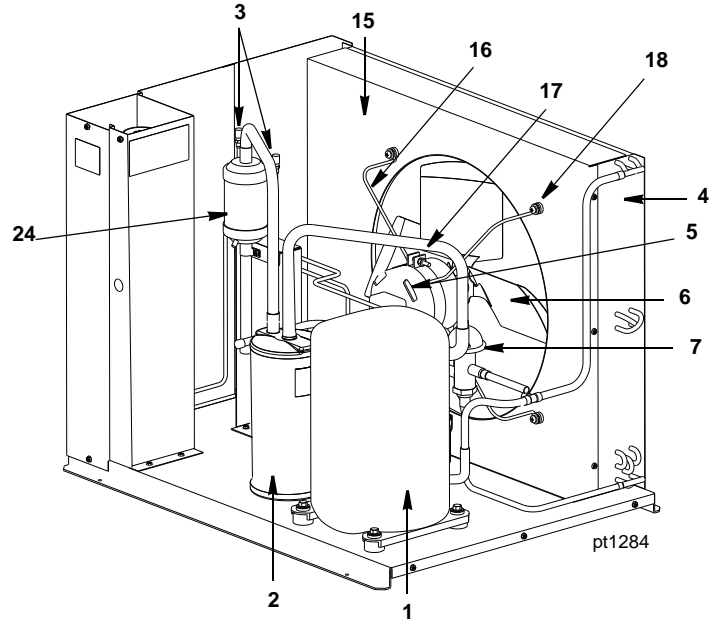
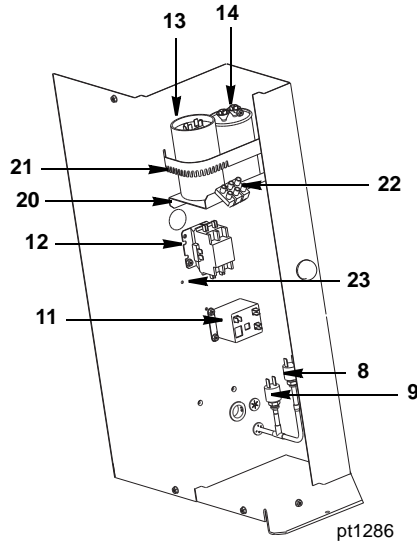
DESCRIPTION

	DESCRIPTION	PART NO.
1	Left Side Panel	606055-9
2	Top Back Panels	
	a. Left Side	606275-9
	b. Right Side	605867-9
3	Bottom Back Panel	605968-9
4	Right Side Panel	606054-9
5	Top Cover (Not shown)	
	a. Before SN110090413	40-1154-9
	b. After SN110090413	40-1548-3
6	Right Door	
	a. Before SN110090413	606117-9
	b. After SN110090413	607122-1
7	Left Door	
	a. Before SN110090413	606116-9
	b. After SN110090413	607121-1
8	Coupling Panel	606280-9

Miscellaneous – Brackets, Screws, etc.

9	Right/Left Door Screw	50-0489-9
10	Front Top Support (Not shown)	00000295
	Mounting Screw Left Side 8-32 x 1	50-0537-9
	Mounting Screw Right Side 10-24 x .50	50-0509-9
	Front Panel Strike	30-0602-9
11	Bottom Door Frame	76-0226-3
	a. Mounting Screw Left Side 10-24 x 1 PHIL	50-0537-9
	b. Mounting Screw Right Side 10/24 x .50 PHIL	52-0209-9
12	Door Catch Bracket (RHD)	606236-9
	a. Mounting Screw 8-32 x .50 Phil	50-2624-9
13	Left Door Pivot Leaf Hinge (Top or Bottom)	30-0557-9
	a. Mounting Screw 10-24 x .5 TCS-23 PHIL/FL	50-0537-9
14	Electrical Connection Box Cover	Included in Back Panel Assembly
15	Sachet Holder (inside left door)	40-0459-9
	a. Screws	50-0479-9

CVD0885 CONDENSING UNIT

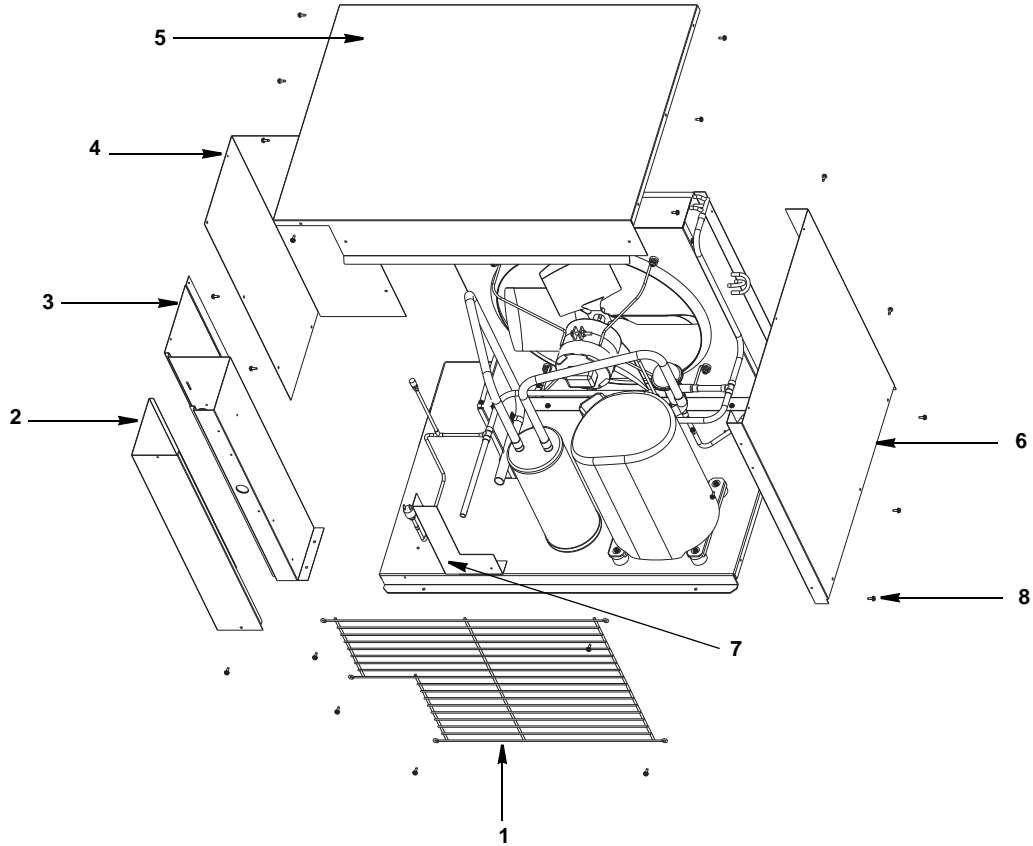


DESCRIPTION

		PART NO.
1	Compressor (After Serial Number 110673885)	
	a. 208-230V/60 Hz/1 Ph	000001736
	b. 208-230V/60 Hz/3 Ph	000001737
	c. 208-230V/50 Hz/1 Ph	000001738
1	Compressor (Before Serial Number 110673885)	
	a. 208-230V/60 Hz/1 Ph	76-0222-3
	b. 208-230V/60 Hz/3 Ph	76-0223-3
	c. 208-230V/50 Hz/1 Ph	76-0224-3
2	Suction Accumulator	82-5143-3
3	Access Valve	83-7325-3
4	Air-Cooled Condenser	88-5145-3
5	Fan Motor	
	a. 208-230V/60 Hz/1 Ph (or 3 Ph)	† 20-0018-9
	b. 208-230V/50 Hz/1 Ph	† 20-0058-3
6	Fan Blade	24-1630-3
7	Head Pressure Control Valve	83-6810-3
8	Fan Cycling Control	† 20-0126-3
9	High Pressure Cut-Out Control	† 20-0124-3
10	Low Pressure Cut-Out Control	20-0222-9
11	Start Relay 60 Hz/1 Ph	20-0753-9
	a. 50 Hz/1 Ph	20-0754-9
12	Contactors 50-60 Hz/1 Ph	20-0660-9
	a. 60 Hz/3 Ph	20-0661-9
13	Start Capacitor	
	a. 208-230/60 Hz/1 Ph	† 85-0385-3
	b. 220-240/50 Hz/1 Ph	85-0551-3
14	Run Capacitor 50-60 Hz/1 Ph	85-0393-3
Miscellaneous – Brackets, Screws, etc.		
15	Fan Shroud	603704-1
16	Fan Motor Mounting Bracket	30-0682-3
17	Fan Motor Mounting Screw	† 50-3358-9
	a. Fan Motor Mounting Lockwasher	† 55-4511-9
	b. Fan Motor Mounting Hexnut	† 54-2952-9
18	Fan Bracket Mounting Screw	† 50-3358-9
	a. Fan Bracket Mounting Lockwasher	† 55-4511-9
	b. Fan Bracket Mounting Flatwasher	† 55-7305-9
	c. Fan Bracket Mounting Rubber Wellnut	† 54-2955-9
19	Screw, #10-24 x .50 (Used for Panel Attachment – Not shown)	† 52-0206-9
20	Capacitor Mounting Bracket	603498-1
21	Capacitor Mounting Strap	602160-1
22	Terminal Block (50 Hz Only)	20-0614-3
23	Ground Screw	82-5053-9
24	Suction Line Filter	82-5273-3
25	Wiring Harness	
	a. 230V/60Hz/1Ph	20-0749-9
	b. 230V/50Hz/1Ph	20-0790-9
	c. 230V/60Hz/3Ph	20-3308-9

† Refer to Cross Reference Guide

CVD0885 CONDENSING UNIT PANELS



pt1287

DESCRIPTION

DESCRIPTION	PART NO.
1 Condenser Fan Guard	34-0689-3
2 Control Box Cover	† 604017-1
3 Control Box Panel	603707-1
4 Left Side Panel	603705-1
5 Cover Top	603475-1
6 Right Side Panel	603470-1
7 Bracket	† 604226-1

Miscellaneous – Brackets, Screws, etc.

8 Screw, #10-24 x .50 Hex.	† 52-0206-9
---------------------------------	-------------

† Refer to Cross Reference Guide