



Ice Machine Parts List for Series S1470C Models

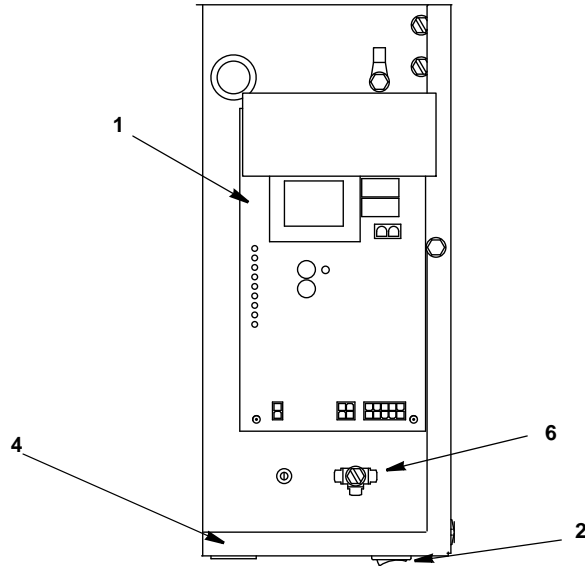
SD1472C

CVD1485

SY1474C

CVD1486

S1470C CONTROL BOX



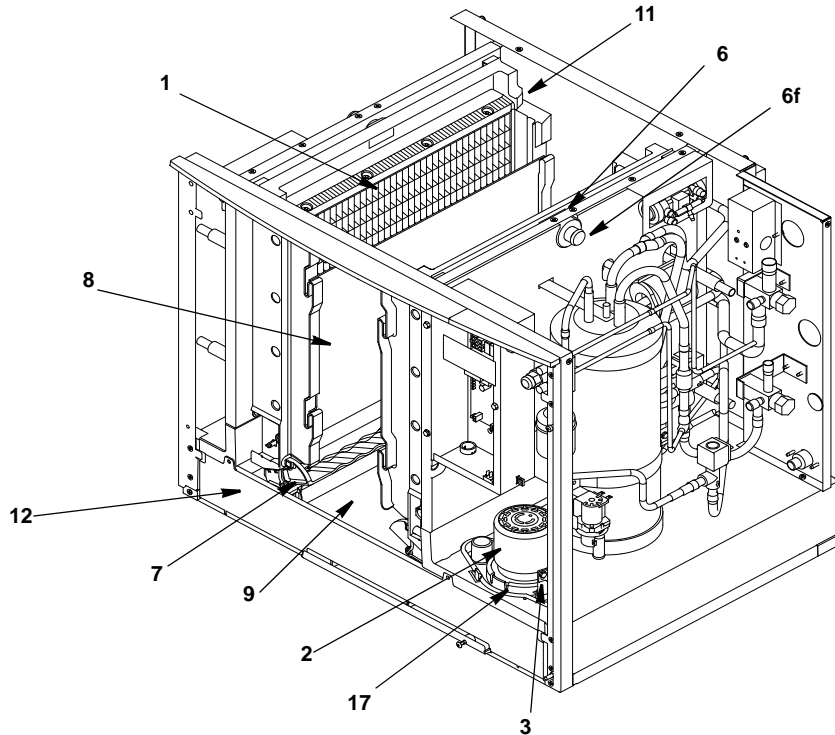
DESCRIPTION

	DESCRIPTION	PART NO.
1	Control Board (for use with all voltages)	20-0619-9
	a. 7 Amp Fuse – Mounted on Control Board	25-1100-3
2	Toggle Switch Only	20-0793-9
	a. Toggle Switch Wiring Harness	000001927
3	Refrigeration Service Valve Assembly (not shown)	83-7326-3

Miscellaneous – Brackets, Screws, etc.

4	Control Box	000001811
	a. Control Box Cover (Not shown)	000002782
5	Control Board Mounting Supports (Not shown)	43-0225-3
6	Screw, #10-24 x .50 Ground	52-0216-9
	a. Star Washer	55-7320-9
7	Control Box Wiring Harness (Not shown)	
	a. 115V/60Hz/1Ph	000001930
	b. 230V/50Hz/1Ph	000001931

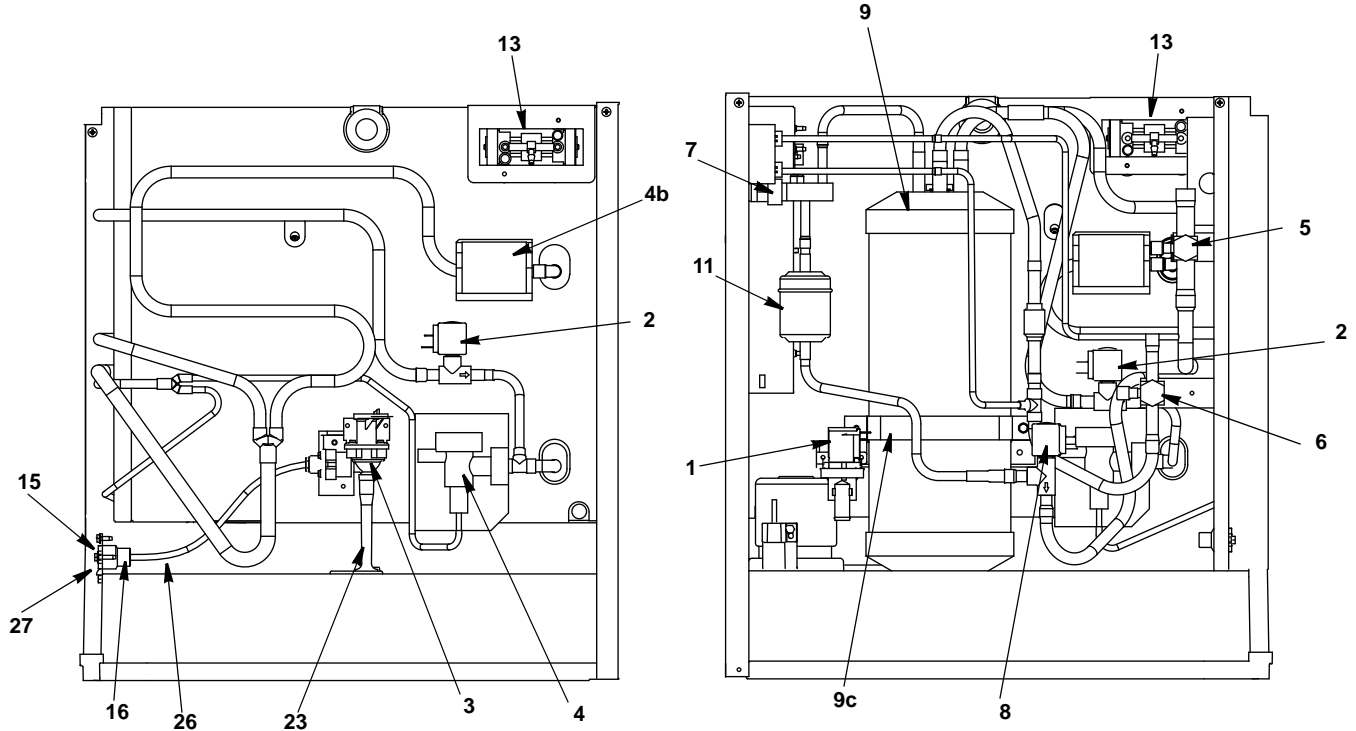
S1470C EVAPORATOR COMPARTMENT



DESCRIPTION

	DESCRIPTION	PART NO.
1	Evaporator Assembly	
	a. Dice Cube	000002783
	b. Half Dice Cube	000002784
2	Water Pump	
	a. 115V/60 Hz	000001153
	b. 230V/50 Hz	000000259
3	Water Level Probe	
	a. Holder	20-0654-9
	b. Bracket	20-0655-9
	c. Wire, control box to probe	000002065
	d. Screw (to mount water level probe holder)	20-0798-9
4	Ice Thickness Control Probe (not shown)	52-0232-9
	a. Clip (holds ice thickness probe wire to bulkhead)	20-0802-9
5	Magnetic Bin Switch	56-5090-9
	a. Left Side	000001756
	b. Right Side	000001757
	c. Covers	000001421
6	Water Distribution Tube Assembly	76-0219-3
	a. Molded Vinyl Tube (to Right Hand Distribution Tube)	000001155
	b. Molded Vinyl Tube (to Left Hand Distribution Tube)	000001117
	c. Barbed Fitting	000001986
	d. Clamp (for barbed fitting)	56-5060-9
	e. Clamp (vinyl tubes to distribution tubes)	56-5053-9
	f. Fitting (through bulkhead)	40-1469-3
	g. Fitting Bracket	000001923
7	Ice Damper Assembly	000002056
8	Splash Shields	000002785
9	Water Trough	000001097
10	Evaporator Top Filler Panel	000002176
11	Evaporator Right/Left Filler Panels	000002097
12	Front Panel Mount	000002190
13	Evaporator Top Frame Assembly	000002786
14	Evaporator Bottom Frame Assembly	000002787
Miscellaneous – Brackets, Screws, etc.		
15	Screw, (Water Distribution Tube Mounting) Each (not shown)	50-0479-9
	a. O-Ring	50-0462-9
16	Screw, #12-16 x .687 Used to Mount Evaporator	50-1231-9
17	Water Pump Mount	000001202
18	Water Pump Base O-Ring	50-0465-9
19	Water Pump Outlet O-Ring	50-0467-9
20	Screw (water pump to pump mount)	52-0206-9
21	Washer (water pump to pump mount)	000002476

S1470C REFRIGERATION COMPARTMENT – COMMON PARTS



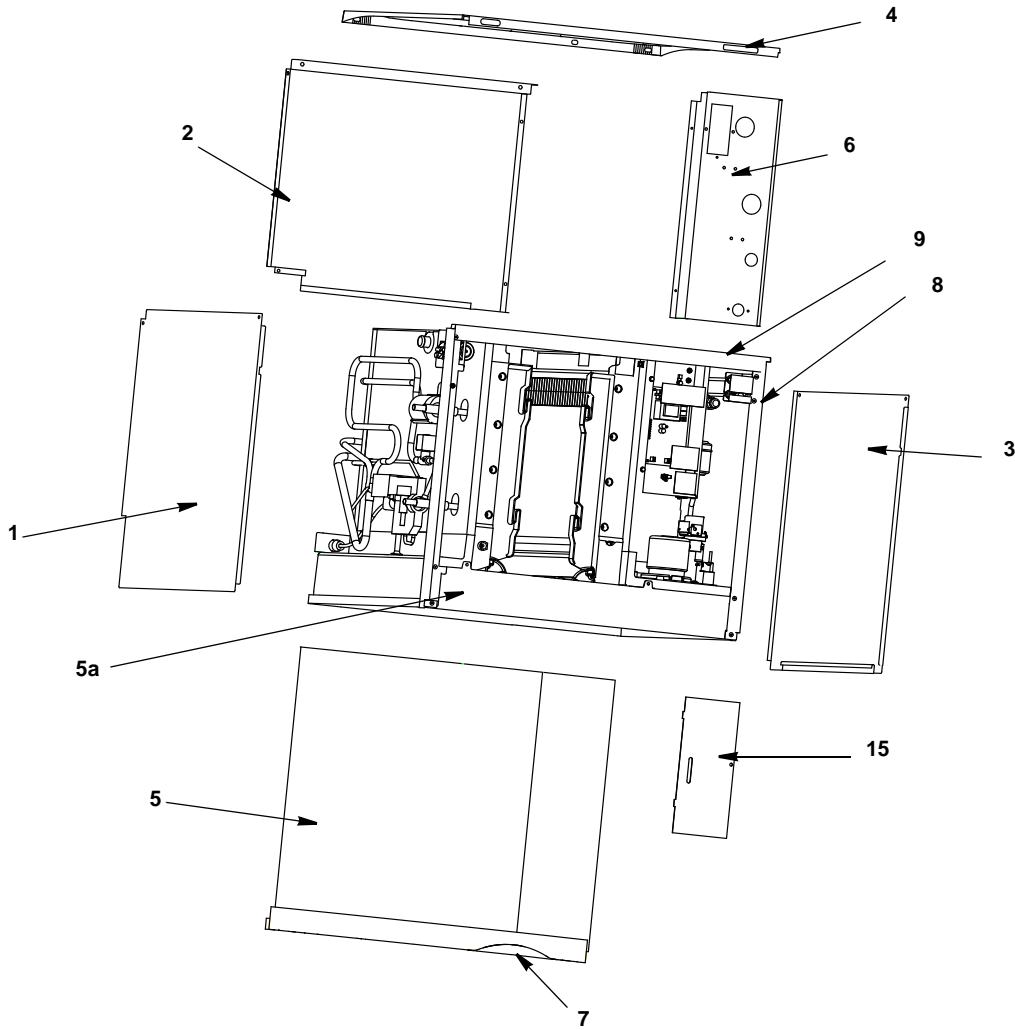
DESCRIPTION

	DESCRIPTION		PART NO.
1	Water Dump Valve		
	a. 115V/60 Hz		000001767
	b. 208/230V / 50 Hz		000001768
2	Harvest Valve		
	a. Solenoid Valve with Electrical Coil (115V)		76-3005-1
	b. Solenoid Valve with Coil (208/230V)		76-3011-1
	c. 115V/60 Hz Electrical Coil Only		000002048
	d. 208/230V 50 Hz Electrical Coil Only		000002049
3	Water Inlet Valve		
	a. Water Inlet Valve Including 115V/60 Hz Coil		000000375
	b. Water Inlet Valve Including 208/230V 50 Hz Electrical Coil		000000376
4	Expansion Valve		
	a. Expansion Valve Body Insulation Boot		76-0225-3
	b. Expansion Valve Bulb Insulation Boot		40-0040-3
	c. Expansion Valve Bulb Insulation Boot		40-0092-3
5	Manual Shut-off Valve Suction Line		
	a. Bracket		83-7328-3
	b. Lockwasher		603626-1
	c. Screw		55-4510-9
	d. Screw		50-3345-9
6	Manual Shut-off Valve Liquid Line		
	a. Bracket		83-7327-3
7	Receiver Service Valve		
	a. Valve Cap		† 83-7316-9
	b. Valve Cap		56-5075-3
8	Liquid Line Solenoid Valve		
	a. Liquid Line Solenoid Valve Including 115V/60 Hz Coil (Danfoss)		000002788
	b. 115V/60 Hz Coil Only Danfoss		000002048
	c. Liquid Line Solenoid Valve Including 208/230V 50 Hz Electrical Coil (Danfoss)		76-3012-1
	d. 208/230V 50 Hz Coil Only Danfoss		000002049
9	Receiver		
	a. Bracket (bottom)		76-2959-3
	b. Bracket (top)		000001779
	c. Strap		000001780
	d. Pushnut, Bolt Retainer		630721-4
10	Check Valve		
	a. Check Valve		54-7488-9
11	Drier		
	a. Drier		83-7315-9
12	Strain Relief (not shown)		
	a. Strain Relief		89-3027-9
13	Air Compressor		
	a. Air Compressor Pump 115V		25-0228-3
	b. Air Compressor Pump 230V		76-0352-9
	c. Manifold Tee (air pump tubing outlet)		000000444
	d. Bracket		40-1173-9
	e. Bracket		000001496

Miscellaneous – Brackets, Screws, etc.

14	Dump Valve Mounting Bracket	000001911
15	Water Inlet Valve Wing Adapter	87-0609-3
16	Water Inlet Valve Wing Adapter Plastic Fitting	13-6096-1
17	Water Drain Female Wing Adapter	87-0608-3
18	Water Drain Tubing	000002340
19	Clamp, Water Drain	56-5070-9
20	Clamp, Expansion Valve Bulb	56-5052-9
21	Strap, Expansion Valve Bulb	30-0050-3
22	Screw, #10-24 x .50	52-0206-9
23	Water Inlet Valve Tubing (molded)	40-1043-9
24	Mylar Shield, water inlet valve	000002250
25	Bracket, manual shut-off valve liquid line	603672-1
26	Water Inlet Tubing	44-2029-1
27	Water Inlet Bracket	000001980
28	Service Valve Bracket	000002251

S1470C PANELS



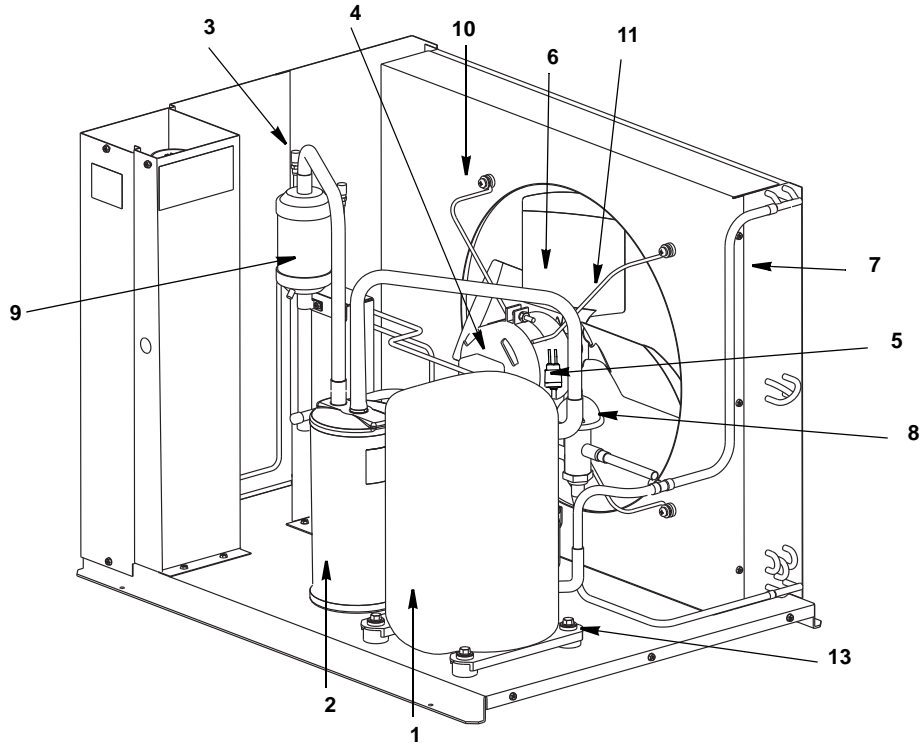
DESCRIPTION

	DESCRIPTION	PART NO.
1	Left Side Panel	000001158
2	Back Panel	000001170
3	Right Side Panel	000001157
4	Top Cover	40-1548-3
5	Front Door	000002157
5a	a. Front Panel Mount	000002190
6	Coupling Panel	000002789

Miscellaneous – Brackets, Screws, etc.

7	Front Door Screw	50-0559-3
	a. Shoulder Bolt	000000260
	b. Nut (for shoulder screw)	000000305
8	Front Vertical Angle	000001139
9	Front Top Support	000001447
	a. Mounting Screw	52-0209-9
	b. Plastic Dome Head Plug	000002246
10	Bottom Front Angle	000001138
	a. Mounting Screw	50-0509-9
11	Screw, Top Cover, Side & Back Panels	50-0037-3
12	Spacer, Top Cover	000002288
13	Terminal Block 3 Pole 50 Hz	20-0614-9
14	Electrical Connection Box Cover	
	a. 60 Hz	606398-9
	b. 50 Hz	000002317
15	Control Box	
	a. 60 Hz	000002230
	b. 50 Hz	000002316

CVD1485 CONDENSING UNIT

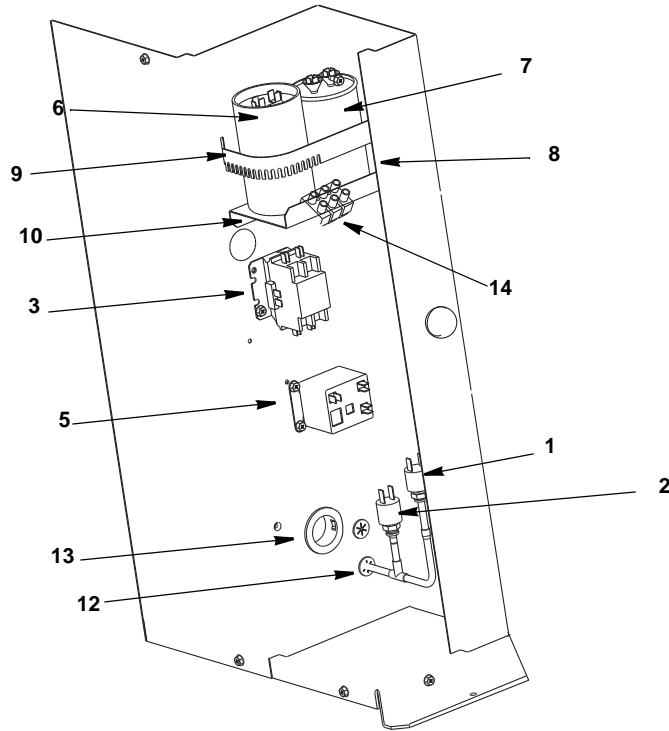


pt1294

DESCRIPTION

	DESCRIPTION	PART NO.
1	Compressor	
	a. 208-230V/60 Hz/1 Ph	† 76-0229-3
	b. 208-230V/60 Hz/3 Ph	† 76-0230-3
	c. 220-240V/50 Hz/1 Ph	† 76-0231-3
2	Accumulator	82-5143-3
3	Access Valve	83-7325-3
4	Fan Motor	
	a. 208-230V/60 Hz/1 Ph-3 Ph	† 20-0018-9
	b. 208-230V/50 Hz/1 Ph	† 20-0058-3
5	Low Pressure Cut-out Control	20-0222-9
6	Fan Blade	24-1611-3
7	Air Condenser	88-5140-3
8	Head Pressure Control Valve	000001982
9	Suction Line Filter	† 82-5054-9
	a. Suction Filter Bracket	604320-1
	b. Suction Line Filter Tie	000002210
Miscellaneous – Brackets, Screws, etc.		
10	Fan Shroud	603450-1
11	Fan Motor Mounting	
	a. Bracket	30-0682-3
	b. Screw	000001524
	c. Lockwasher	† 55-4511-9
	d. Hexnut	† 54-2952-9
12	Fan Bracket Mounting	
	a. Screw	000001524
	b. Rubber Wellnut	† 54-2955-9
13	Compressor Mounting	
	a. Bolt	50-3572-9
	b. Grommet	85-0306-9
	c. Washer	55-7309-9
	d. Metal Sleeve	85-0394-9
14	Strain Relief	25-0228-3

CVD1485 CONDENSING UNIT, CONTINUED



DESCRIPTION

	DESCRIPTION		PART NO.
1	Fan Cycling Control	†	20-0126-3
2	High Pressure Cut-out Control	†	20-0124-3
3	Contactor		
	a. Assembly Complete with 208-230V/50-60/1 Ph Coil		20-0660-9
	b. Assembly Complete with 208-230V/60/3 Ph Coil		20-0661-9
4	Wiring Harness		
	a. 60 Hz		20-0749-9
	b. 50 Hz		20-3322-3

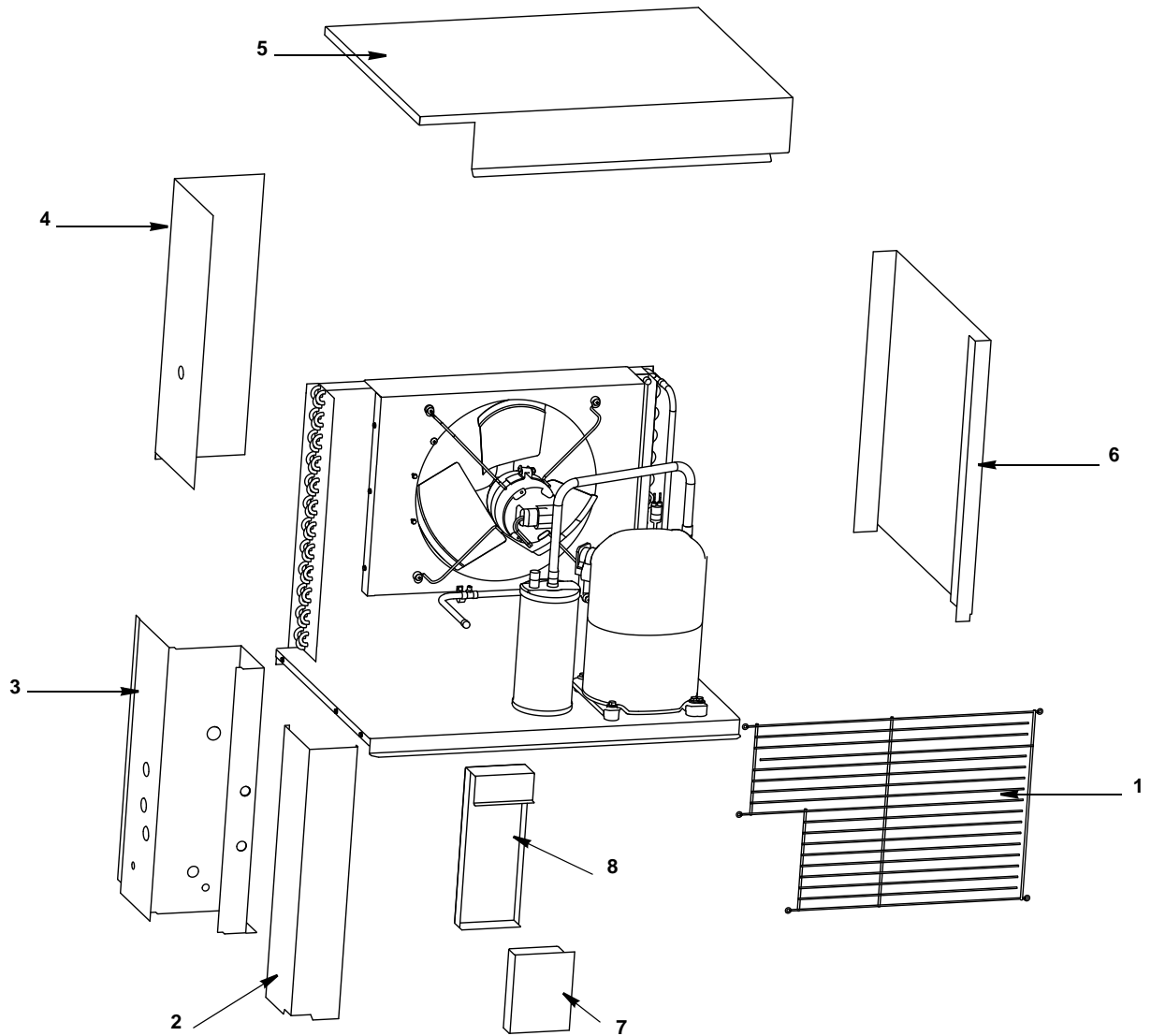
Start Components

5	Start Relay 208-230V/50-60 Hz/1 Ph		20-0755-9
6	Start Capacitor 208-230V/50-60 Hz/1 Ph		85-0385-3
7	Run Capacitor 208-230V/50-60 Hz/1 Ph		20-1013-3

Miscellaneous – Brackets, Screws, etc.

8	Screw, #10-24 x .50	†	52-0206-9
9	Capacitor Mounting Strap		602160-1
10	Capacitor Mounting Bracket		603498-1
11	Ground Screw	†	52-0216-9
12	Bushing	†	25-0016-9
13	Bushing	†	25-0002-9
14	Terminal Block 230V/50 Hz/1 Ph Only (location only shown)		20-0614-3

CVD1485 CONDENSING UNIT PANELS



DESCRIPTION

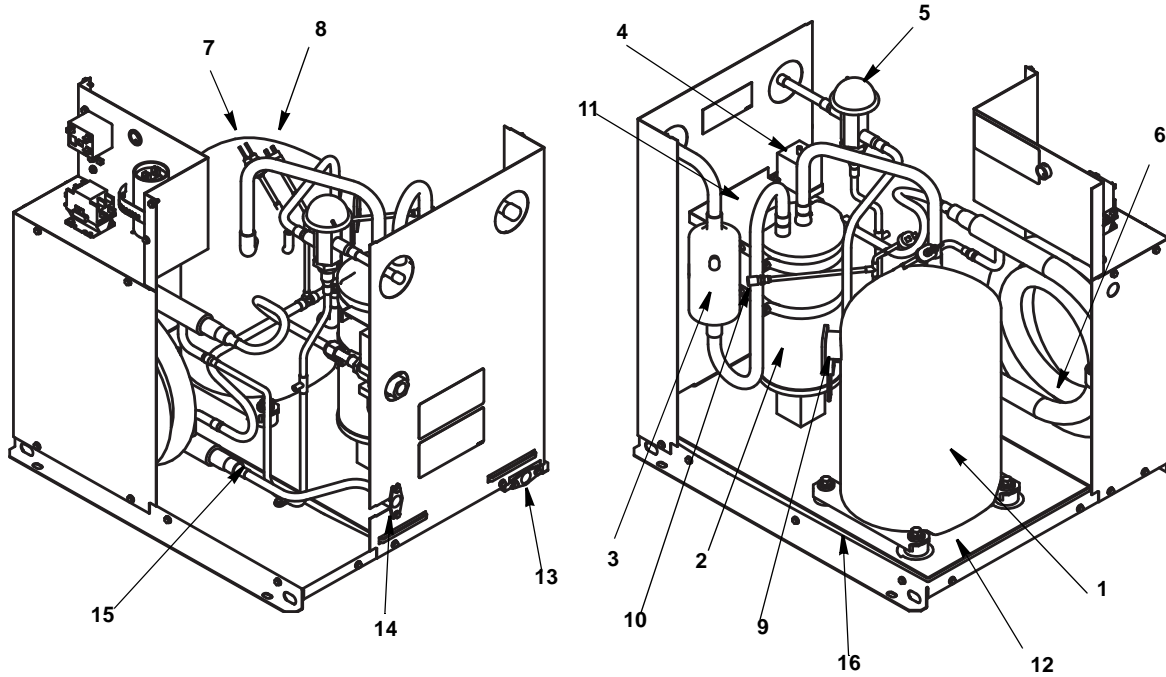
	DESCRIPTION	PART NO.
1	Condenser Fan Guard	34-0689-3
2	Control Box Cover	† 604017-1
3	Control Box Panel	603707-1
4	Left Side Panel	603732-1
5	Cover Top	603475-1
6	Right Side Panel	603470-1
7	Tubing Panel	† 604226-1

Miscellaneous – Brackets, Screws, etc.

8	Suction Line Filter Bracket	604320-1
9	Screw, #10-24 x .50 Hex	† 52-0206-9

† Refer to Cross Reference Guide

CVD1486 CONDENSING UNIT



pt1382

DESCRIPTION

PART NO.

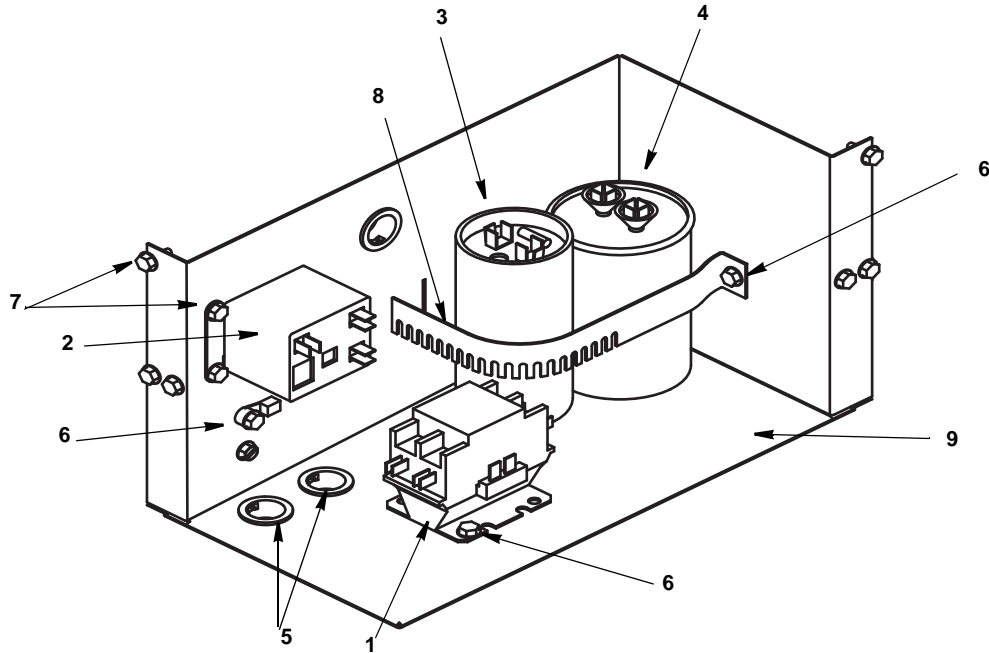
1	Compressor	
	a. 208-230V/60 Hz/1 Ph	76-0229-3
	b. 208-230V/60 Hz/3 Ph	76-0230-3
2	Accumulator	82-5143-3
	a. Mounting Strap	605558-1
	b. Screw	52-0206-9
3	Suction Line Filter	† 82-5054-9
4	Water Regulating Valve	
	a. 150 psig Rated	82-5240-3
	b. 350 psig Rated (High Pressure Option)	83-7217-3
	c. Bracket, 350 psig (high pressure) Only	605678-1
5	Head Pressure Control Valve	82-5116-3
6	Water Cooled Condenser	82-5128-3
	a. Bracket, water condenser	605610-1
7	Low Pressure Cut-out Control	20-0222-9
8	High Pressure Cut-out Control	† 20-0124-3

Miscellaneous – Brackets, Screws, etc.

9	Compressor Electrical Plug with 42" Wires	20-0623-3
10	Access Valve	83-7325-3
11	Receiver Mounting Bracket Upper/Lower	605557-1
12	Drain Pan Assembly	40-0514-3
13	Drain Pan White Vinyl Drain tube (Location only Shown)	40-0844-3
14	Adapter 1/2" FPT	87-0608-3
15	Water Regulating Valve Union	83-3419-3
16	Compressor Mounting	
	a. Bolt	50-0017-3
	b. Grommet	85-0306-9
	c. Washer	55-7309-9
	d. Metal Sleeve	50-0010-9

† Refer to Cross Reference Guide

CVD1486 CONDENSING UNIT, CONTINUED



pt1384

DESCRIPTION

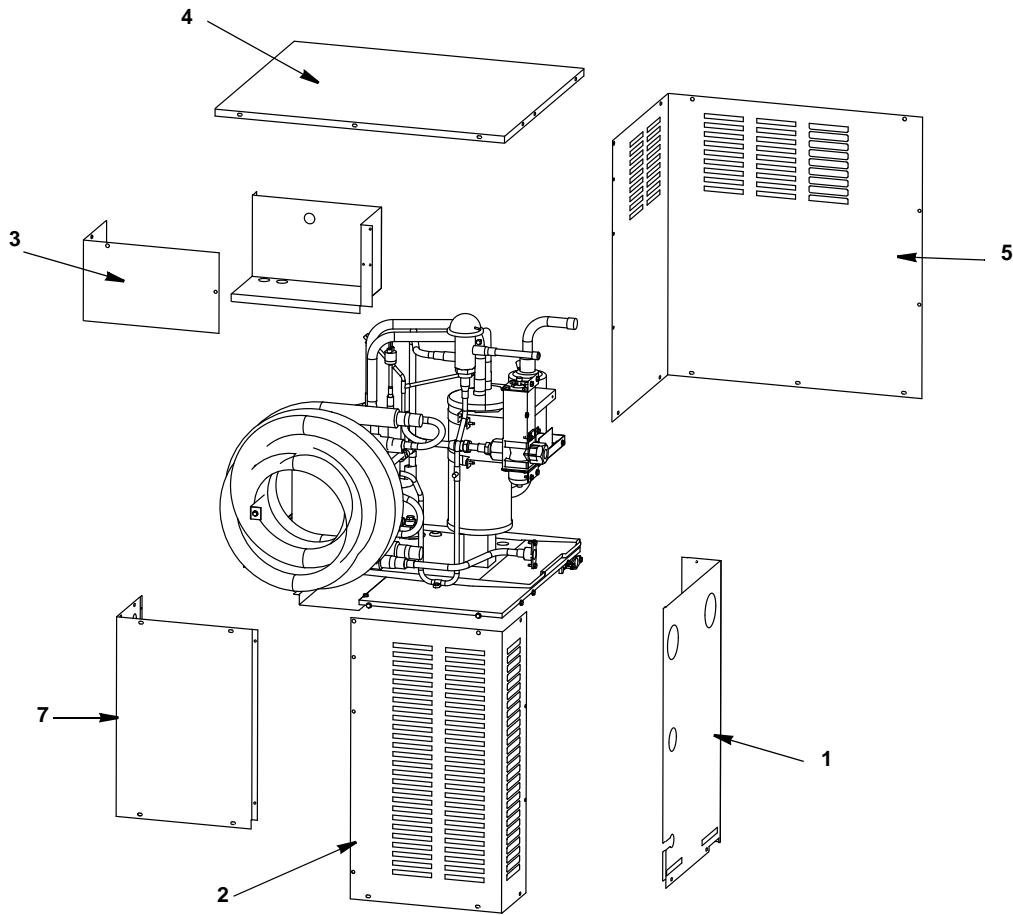
	PART NO.
1 Contactor	
a. Assembly Complete with 208-230V/50-60/1 Ph Coil	20-0660-9
b. Assembly Complete with 208-230V/60/3 Ph Coil	† 20-0661-9
2 Start Relay 208-230V/60 Hz/1 Ph	20-0755-9
3 Start Capacitor 208-230V/60 Hz/1 Ph	85-0385-3
4 Run Capacitor 208-230V/60Hz/1 Ph	20-1013-3

Miscellaneous – Brackets, Screws, etc.

5 Bushing	† 25-0140-9
6 Ground Screw	† 52-0216-9
7 Screw, #10-24 x .50	† 52-0206-9
8 Capacitor Mounting Strap.	602160-1
9 Control Box	76-0165-3
10 Wiring Harness (Control Box)	
a. 208-230V/60Hz/1Ph	20-0055-9
b. 208-230V/60Hz/3Ph	20-0056-3

† Refer to Cross Reference Guide

CVD1486 CONDENSING UNIT PANELS



DESCRIPTION

	DESCRIPTION		PART NO.
1	Component Mounting Panel		605114-1
2	Left Side Panel		605115-1
3	Control Box Panel		76-0164-3
4	Cover Top		605553-1
5	Right Side Panel		605116-1

Miscellaneous – Brackets, Screws, etc.

6	Screw, #10-24 x .50 Hex.	†	52-0206-9
7	Electrical Mounting Panel		605560-1

† Refer to Cross Reference Guide