



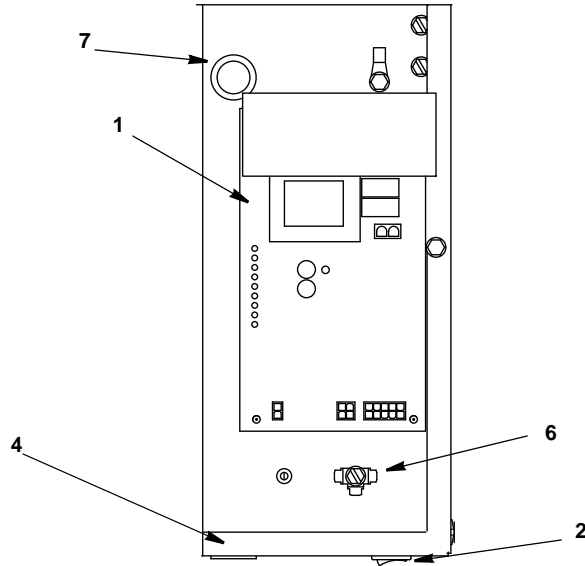
Ice Machine Parts List for Series S1870C Models

SD1872C

CVD1885

SY1874C

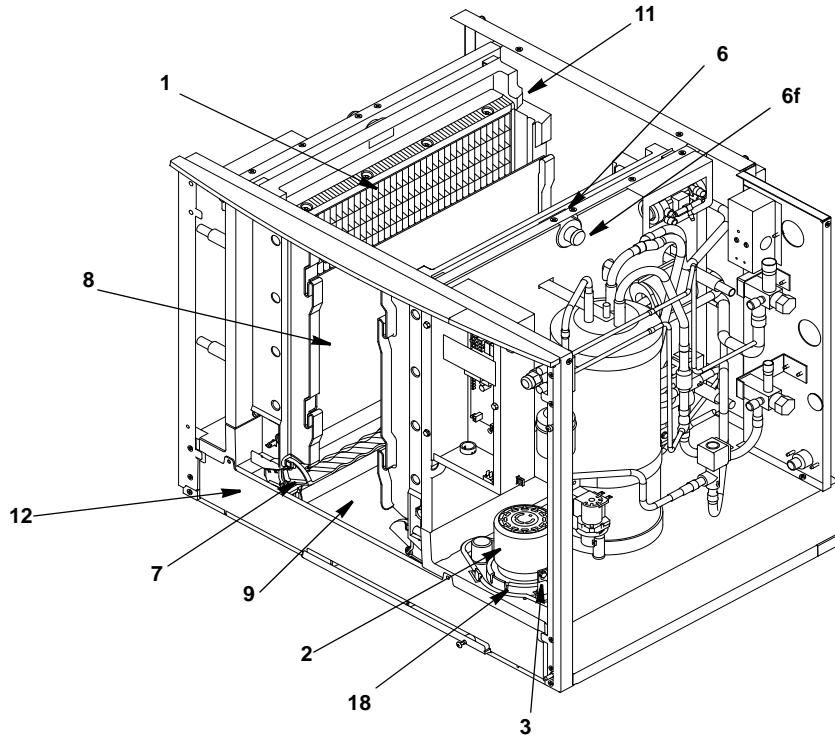
S1870C CONTROL BOX



DESCRIPTION

			PART NO.
1	Control Board (for use with all voltages)		20-0619-9
	a. 7 Amp Fuse – Mounted on Control Board		25-1100-3
2	Toggle Switch Only		20-0793-9
	a. Toggle Switch Wiring Harness		000001927
3	Refrigeration Service Valve Assembly (not shown)		83-7326-3
Miscellaneous – Brackets, Screws, etc.			
4	Control Box		000001811
	a. Control Box Cover (Not shown)		000001812
5	Control Board Mounting Supports (Not shown)		43-0225-3
6	Screw, #10-24 x .50 Ground		52-0216-9
	a. Star Washer		55-7320-9
7	Bushing		25-0016-3
8	Control Box Wiring Harness (Not shown)		
	a. 115V/60Hz/1Ph		000001930
	b. 230V/50Hz/1Ph		000001931

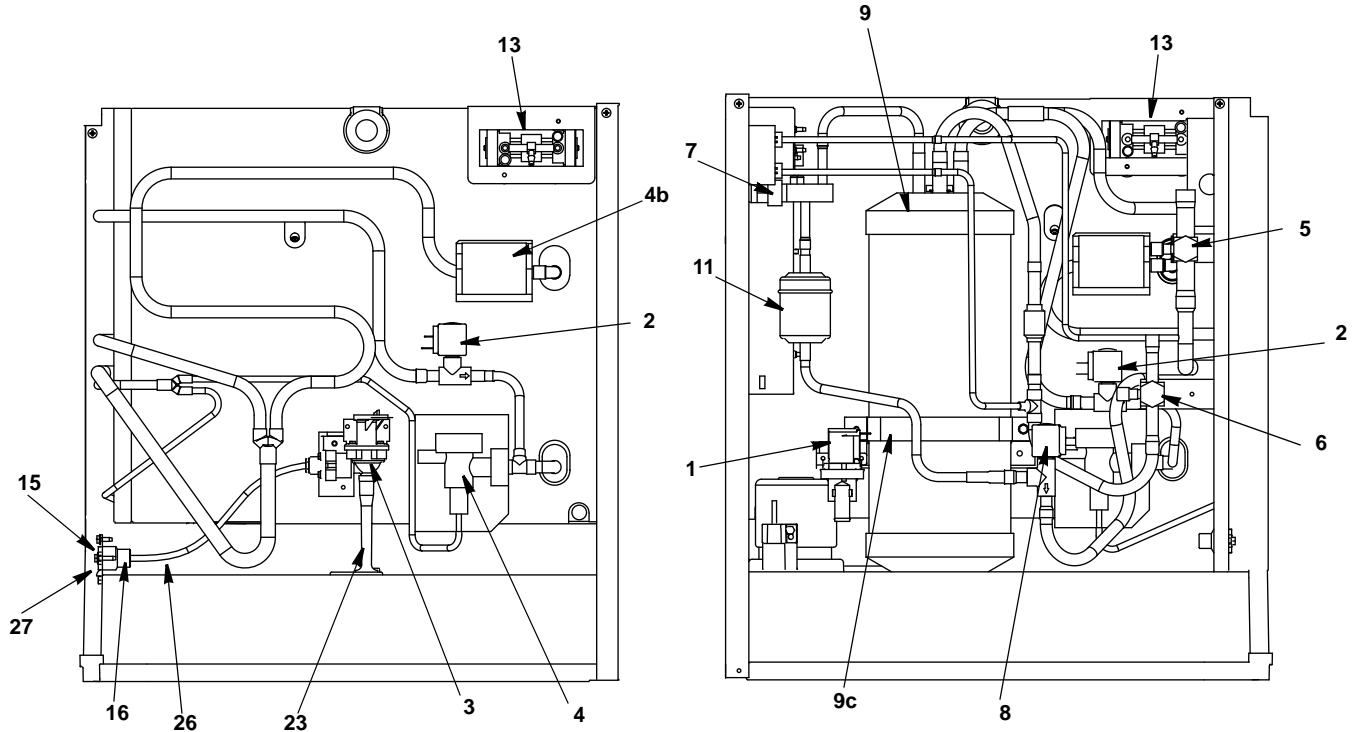
S1870C EVAPORATOR COMPARTMENT



DESCRIPTION

	DESCRIPTION	PART NO.
1	Evaporator Assembly	
	a. Dice Cube	
	b. Half Dice Cube	
2	Water Pump	
	a. 115V/60 Hz	000001153
	b. 230V/50 Hz	000000259
3	Water Level Probe	
	a. Holder	20-0654-9
	b. Bracket	20-0655-9
	c. Wire, control box to probe	000002070
	d. Screw (to mount water level probe holder)	20-0798-9
4	Ice Thickness Control Probe (not shown)	52-0232-9
	a. Clip (holds ice thickness probe wire to bulkhead)	20-0802-9
5	Magnetic Bin Switch	56-5090-9
	a. Left Side	000001756
	b. Right Side	000001757
	c. Covers	000001421
6	Water Distribution Tube Assembly	76-0219-3
	a. Molded Vinyl Tube (to Right Hand Distribution Tube)	000001118
	b. Molded Vinyl Tube (to Left Hand Distribution Tube)	000001117
	c. Barbed Fitting	000001986
	d. Clamp (for barbed fitting)	56-5060-9
	e. Clamp (vinyl tubes to distribution tubes)	56-5053-9
	f. Fitting (through bulkhead)	40-1469-3
	g. Fitting Bracket	000001923
7	Ice Damper Assembly	000002056
8	Splash Shields	000002785
9	Water Trough	000001097
10	Evaporator Top Filler Panel	000002176
11	Evaporator Right/Left Filler Panels	000002097
12	Front Panel Mount	000002190
13	Evaporator Top Frame Assembly	
14	Evaporator Bottom Cover	000001143
15	Evaporator Bottom Frame Assembly	000001416
Miscellaneous – Brackets, Screws, etc.		
16	Screw, (Water Distribution Tube Mounting) Each (not shown)	50-0479-9
	a. O-Ring	50-0462-9
17	Screw, #12-16 x .687 Used to Mount Evaporator	50-1231-9
18	Water Pump Mount	000001202
19	Water Pump Base O-Ring	50-0465-9
20	Water Pump Outlet O-Ring	50-0467-9
21	Screw (water pump to pump mount)	52-0206-9
22	Washer (water pump to pump mount)	000002476

S1870C REFRIGERATION COMPARTMENT – COMMON PARTS



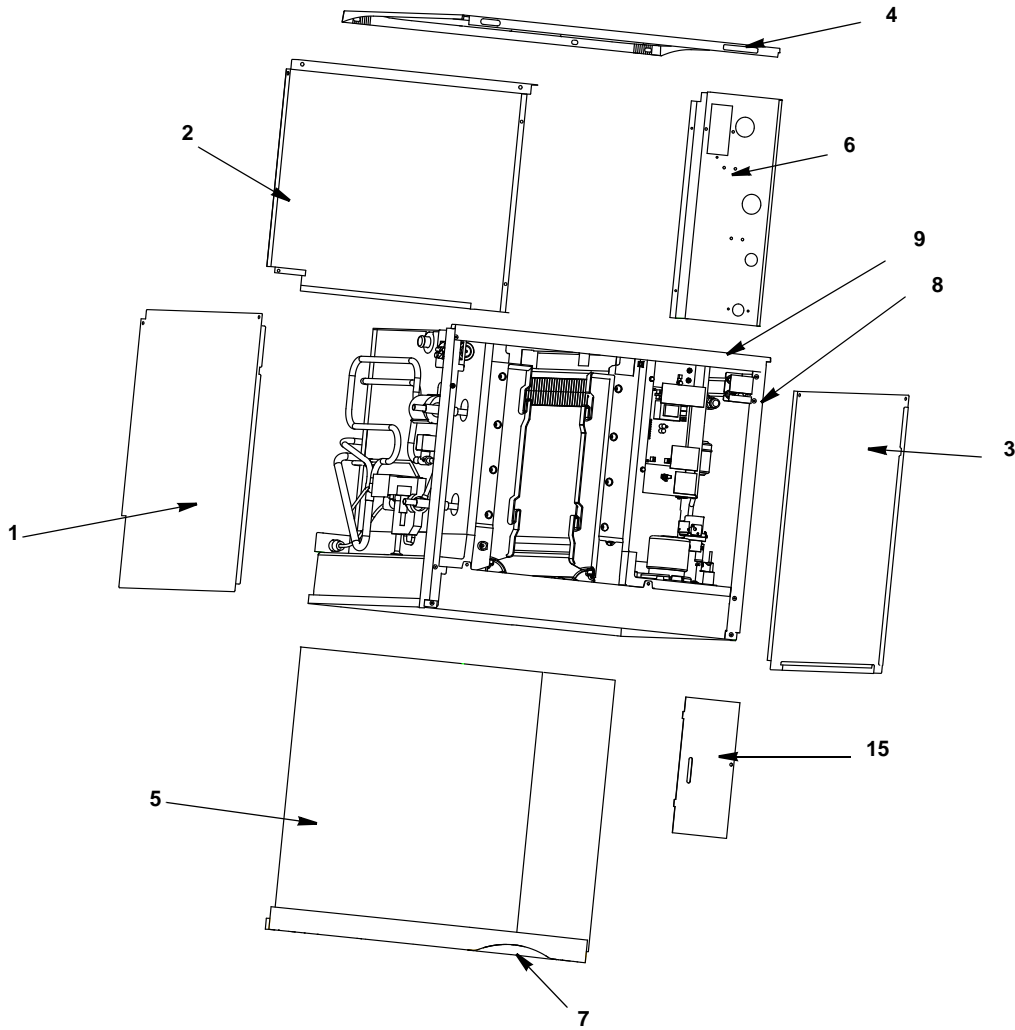
DESCRIPTION

		PART NO.
1	Water Dump Valve	
	a. 115V/60 Hz	000001767
	b. 208/230V / 50 Hz	000001768
2	Harvest Valve	
	a. Solenoid Valve with Electrical Coil (115V)	000002788
	b. Solenoid Valve with Coil (208/230V)	76-3012-3
	c. 115V/60 Hz Electrical Coil Only	000002048
	d. 208/230V 50 Hz Electrical Coil Only	000002049
3	Water Inlet Valve	
	a. Water Inlet Valve Including 115V/60 Hz Coil	000000377
	b. Water Inlet Valve Including 208/230V 50 Hz Electrical Coil	000000378
4	Expansion Valve	
	a. Expansion Valve Body Insulation Boot	76-0225-3
	b. Expansion Valve Bulb Insulation Boot	40-0040-3
5	Manual Shut-off Valve Suction Line	
	a. Bracket	40-0092-3
	b. Lockwasher	83-7328-3
	c. Screw	603626-1
6	Manual Shut-off Valve Liquid Line	
	a. Bracket	55-4510-9
	b. Lockwasher	50-3345-9
	c. Screw	83-7327-3
7	Receiver Service Valve	
	a. Valve Cap	† 83-7316-9
	b. Bracket	56-5075-3
8	Liquid Line Solenoid Valve	
	a. Liquid Line Solenoid Valve Including 115V/60 Hz Coil (Danfoss)	83-7330-3
	b. 115V/60 Hz Coil Only Danfoss	000002048
	c. Liquid Line Solenoid Valve Including 208/230V 50 Hz Electrical Coil (Danfoss)	76-3012-1
	d. 208/230V 50 Hz Coil Only Danfoss	000002049
9	Receiver	
	a. Bracket (bottom)	76-2959-3
	b. Bracket (top)	000001779
	c. Strap	000001780
	d. Pushnut, Bolt Retainer	630721-4
10	Check Valve	54-7488-9
11	Drier	83-7315-9
12	Strain Relief (not shown)	89-3027-9
13	Air Compressor	
	a. Air Compressor Pump 115V	25-0228-3
	b. Air Compressor Pump 230V	76-0352-9
	c. Manifold Tee (air pump tubing outlet)	000000444
	d. Bracket	40-1173-9
		000001496

Miscellaneous – Brackets, Screws, etc.

14	Dump Valve Mounting Bracket	000001911
15	Water Inlet Valve Wing Adapter	87-0609-3
16	Water Inlet Valve Wing Adapter Plastic Fitting	13-6096-1
17	Water Drain Female Wing Adapter	87-0608-3
18	Water Drain Tubing	000002340
19	Clamp, Water Drain	56-5070-9
20	Clamp, Expansion Valve Bulb	56-5052-9
21	Strap, Expansion Valve Bulb	30-0050-3
22	Screw, #10-24 x .50	52-0206-9
23	Water Inlet Valve Tubing (molded)	40-1043-9
24	Mylar Shield, water inlet valve	000002250
25	Bracket, manual shut-off valve liquid line	603672-1
26	Water Inlet Tubing	44-2029-1
27	Water Inlet Bracket	000002064 & 000001980
28	Service Valve Bracket	000002251
29	Vinyl Tubing (0.25 ID)	44-2088-3
30	Wiring Harness	000001932
31	Thumbscrew	50-0001-3
32	Screw (Slot Hex)	000002466
33	Compression Nut	56-5072-3

S1870C PANELS



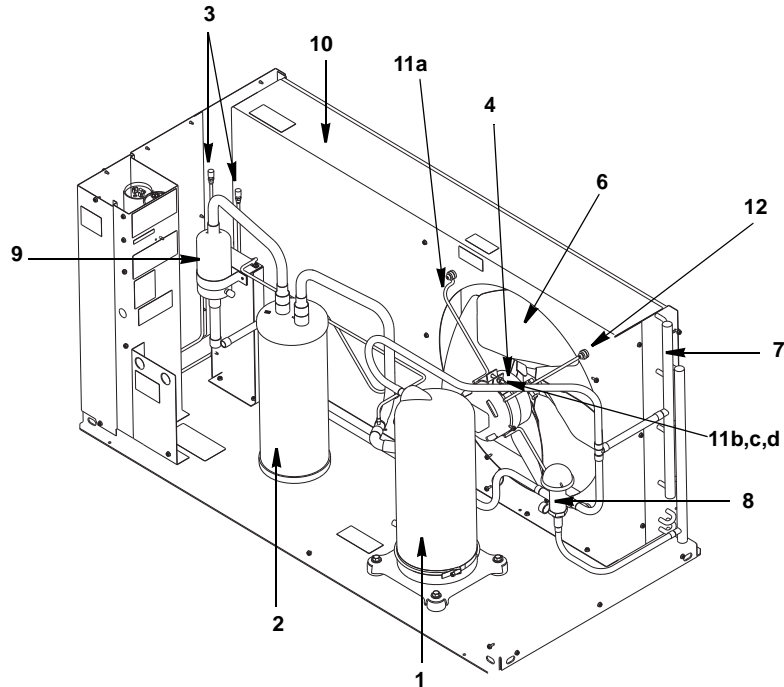
DESCRIPTION

	DESCRIPTION	PART NO.
1	Left Side Panel	000002464
2	Back Panel	000002462
3	Right Side Panel	000002463
4	Top Cover	40-1548-3
5	Front Door	000002190
6	Coupling Panel	000002016

Miscellaneous – Brackets, Screws, etc.

7	Front Door Screw	50-0559-3
	a. Shoulder Bolt	000000260
	b. Nut (for shoulder bolt)	000000305
8	Front Vertical Angle	000001139
9	Front Top Support	000001447
	a. Mounting Screw	52-0209-9
	b. Plastic Dome Head Plug	000002246
10	Bottom Front Angle	000001138
	a. Mounting Screw	50-0509-9
11	Screw, Top Cover, Side & Back Panels	50-0037-3
12	Spacer, Top Cover	000002288
13	Terminal Block 3 Pole 50 Hz	20-0614-9
14	Electrical Connection Box Cover	
	a. 60 Hz	606398-9
	b. 50 Hz	000002317
15	Control Box	
	a. 60 Hz	000002230
	b. 50 Hz	000002316

CVD1885 CONDENSING UNIT



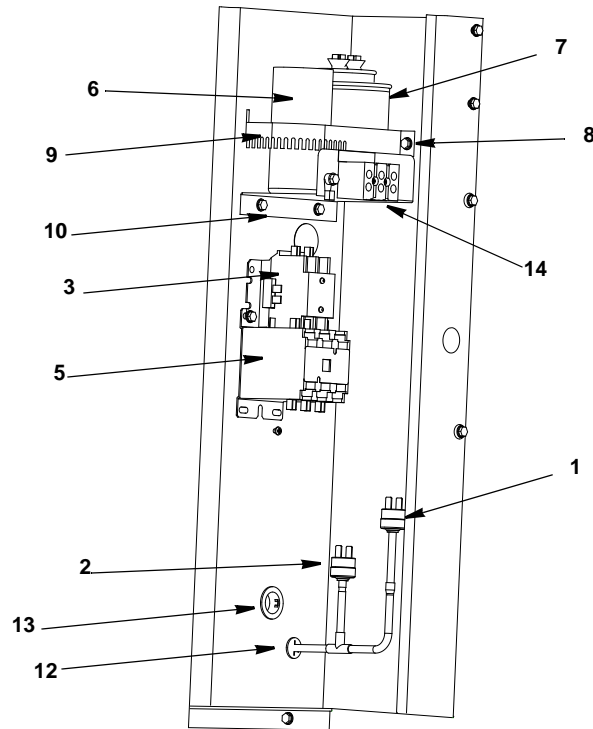
DESCRIPTION

	DESCRIPTION	PART NO.
1	Compressor - Copeland	
	a. 208-230V/60 Hz/1 Ph	000001764
	b. 208-230V/60 Hz/3 Ph	000001765
	c. 220-240V/50 Hz/1 Ph	000002145
	d. Compressor Plug	20-0761-3
2	Accumulator	82-5143-3
3	Access Valve	83-7325-3
4	Fan Motor	
	a. 208-230V/60 Hz/1 Ph-3 Ph	† 20-0018-9
	b. 208-230V/50 Hz/1 Ph	† 20-0058-3
5	Low Pressure Cut-out Control	20-0222-9
6	Fan Blade	24-1611-3
7	Air Condenser	88-5140-3
8	Head Pressure Control Valve	000002369
9	Suction Line Filter	† 82-5054-9
	a. Suction Filter Bracket	000002252
	b. Suction Line Filter Tie	000002210

Miscellaneous – Brackets, Screws, etc.

10	Fan Shroud	603450-1
11	Fan Motor Mounting	
	a. Bracket	30-0682-3
	b. Screw	000001524
	c. Lockwasher	† 55-4511-9
	d. Hexnut	† 54-2952-9
12	Fan Bracket Mounting	
	a. Screw	000001524
	b. Rubber Wellnut	† 54-2955-9
13	Compressor Mounting	
	a. Bolt	50-3572-9
	b. Grommet	85-0306-9
	c. Washer	55-7309-9
	d. Metal Sleeve	85-0394-9
14	Strain Relief	25-0228-3

CVD1885 CONDENSING UNIT, CONTROL BOX



DESCRIPTION

DESCRIPTION	PART NO.
1 Fan Cycling Control	† 20-0126-3
2 High Pressure Cut-out Control	† 20-0124-3
3 Contactor	
a. Assembly Complete with 208-230V/50-60/1 Ph Coil	20-0660-9
b. Assembly Complete with 208-230V/60/3 Ph Coil	20-0661-9
4 Wiring Harness	
a. 60 Hz	20-3308-9
b. 50 Hz	20-3322-3

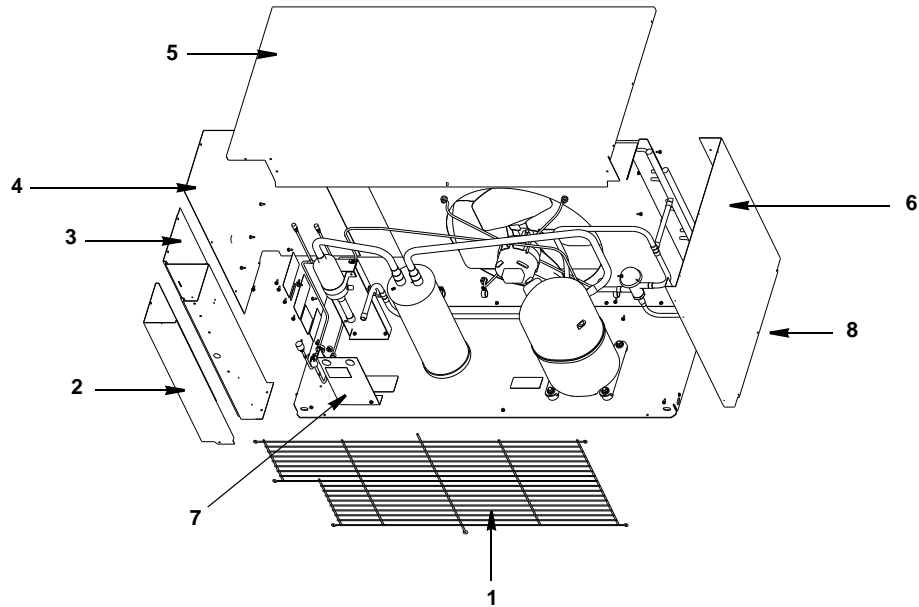
Start Components

5 Start Relay	
a. 60 Hz	20-0755-9
b. 50 Hz	20-0752-3
6 Start Capacitor	
a. 60 Hz	85-0513-3
b. 50 Hz	85-0582-3
7 Run Capacitor 208-230V/50-60 Hz/1 Ph	000000028

Miscellaneous – Brackets, Screws, etc.

8 Screw, #10-24 x .50	† 52-0206-9
9 Capacitor Mounting Strap	602160-1
10 Capacitor Mounting Bracket	603498-1
11 Ground Screw	† 52-0216-9
12 Bushing	† 25-0016-9
13 Bushing	† 25-0002-9
14 Terminal Block 230V/50 Hz/1 Ph Only (location only shown)	20-0614-3

CVD1885 CONDENSING UNIT PANELS



DESCRIPTION

DESCRIPTION	PART NO.
1 Condenser Fan Guard	34-0689-3
2 Control Box Cover	† 604017-1
3 Control Box Panel	603707-1
4 Left Side Panel	603732-1
5 Cover Top	603475-1
6 Right Side Panel	603470-1
7 Tubing Panel	† 604226-1

Miscellaneous – Brackets, Screws, etc.

8 Suction Line Filter Bracket	000002252
9 Screw, #10-24 x .50 Hex	† 52-0206-9

† Refer to Cross Reference Guide

INTENTIONALLY LEFT BLANK