



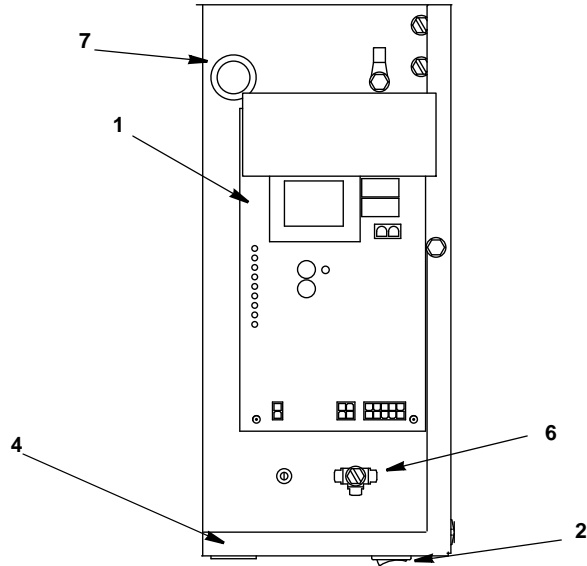
Ice Machine Parts List for Series S2070C Models

SD2072C

CVD2075

SD2074C

S2070C CONTROL BOX



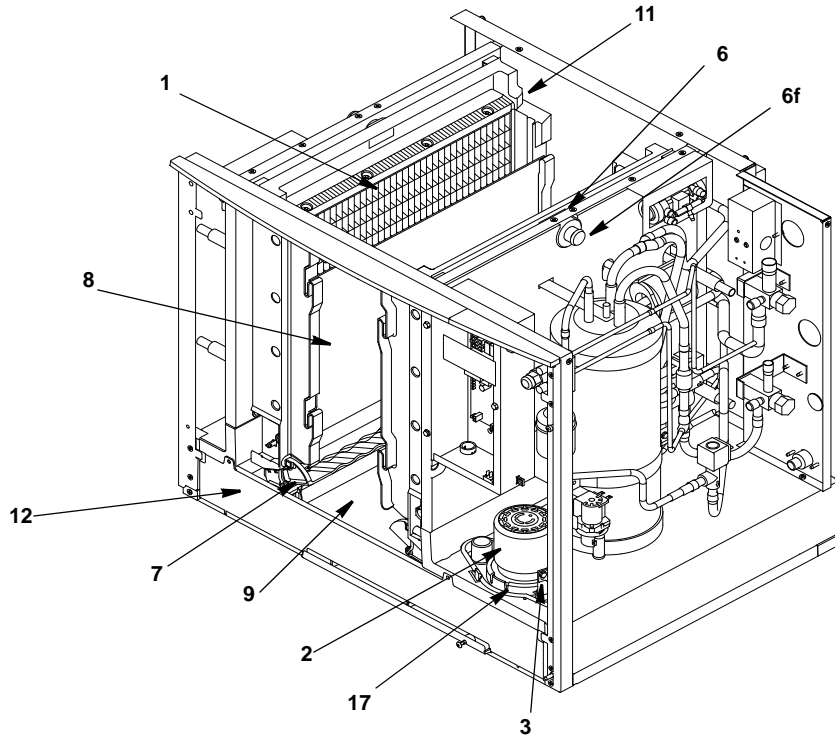
DESCRIPTION

DESCRIPTION	PART NO.
1 Control Board (for use with all voltages)	20-0619-9
a. 7 Amp Fuse – Mounted on Control Board	25-1100-3
2 Toggle Switch Only	20-0793-9
a. Toggle Switch Wiring Harness	000001927
3 Refrigeration Service Valve Assembly (not shown)	83-7326-3

Miscellaneous – Brackets, Screws, etc.

4 Control Box	000001811
a. Control Box Cover (Not shown)	000001812
5 Control Board Mounting Supports (Not shown)	43-0225-3
6 Screw, #10-24 x .50 Ground	52-0216-9
a. Star Washer	55-7320-9
7 Bushing	25-0016-3
8 Control Box Wiring Harness (Not shown)	
a. 115V/60Hz/1Ph	000001930
b. 230V/50Hz/1Ph	000001931

S2070C EVAPORATOR COMPARTMENT

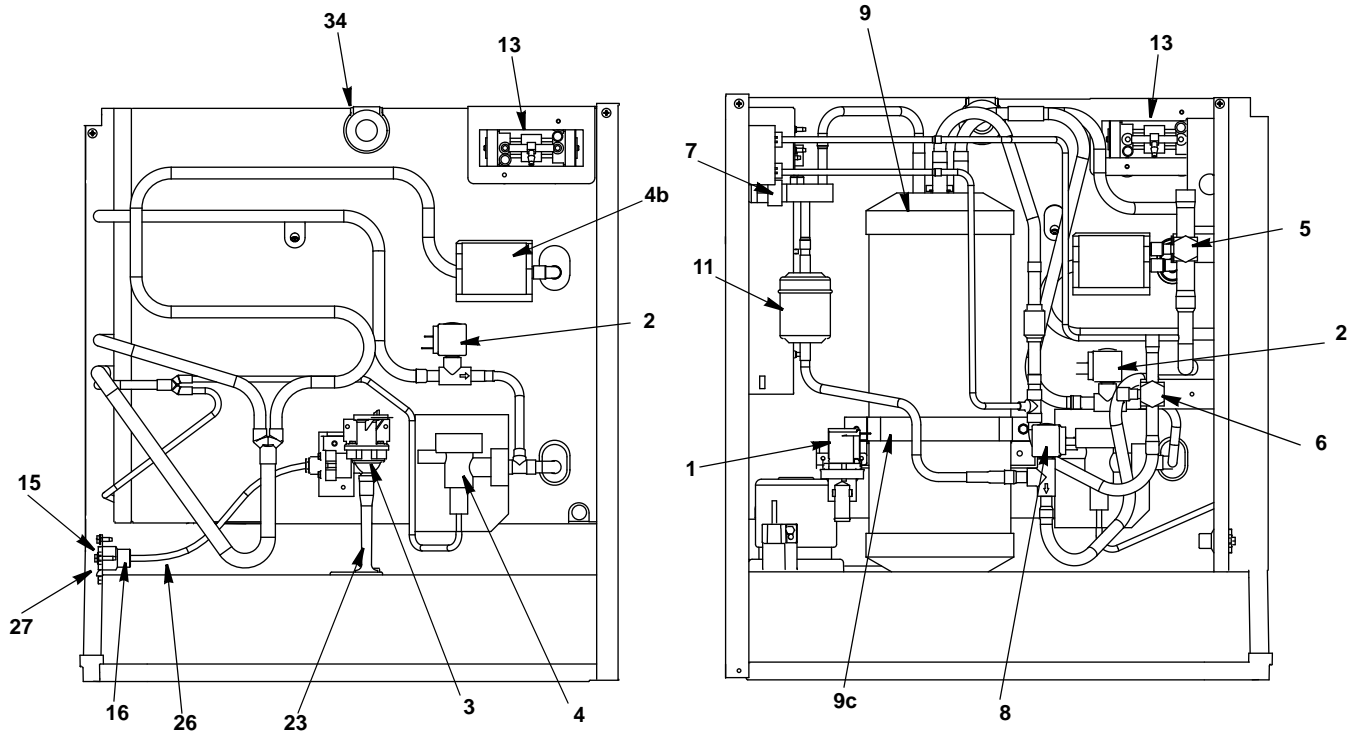


DESCRIPTION

PART NO.

1	Evaporator Assembly	
	a. Dice Cube	
	b. Half Dice Cube	
2	Water Pump	
	a. 115V/60 Hz	000001153
	b. 230V/50 Hz	000000259
3	Water Level Probe	
	a. Holder	20-0654-9
	b. Bracket	20-0655-9
	c. Wire, control box to probe	000002070
	d. Screw (to mount water level probe holder)	20-0798-9
4	Ice Thickness Control Probe (not shown)	52-0232-9
	a. Clip (holds ice thickness probe wire to bulkhead)	20-0802-9
5	Magnetic Bin Switch	56-5090-9
	a. Left Side	000001756
	b. Right Side	000001757
	c. Covers	000001421
6	Water Distribution Tube Assembly	76-0219-3
	a. Molded Vinyl Tube (to Right Hand Distribution Tube)	000001118
	b. Molded Vinyl Tube (to Left Hand Distribution Tube)	000001117
	c. Barbed Fitting	000001986
	d. Clamp (for barbed fitting)	56-5060-9
	e. Clamp (vinyl tubes to distribution tubes)	56-5053-9
	f. Fitting (through bulkhead)	40-1469-3
	g. Fitting Bracket	000001923
7	Ice Damper Assembly	000002056
8	Splash Shields	000002785
9	Water Trough	000001097
10	Evaporator Top Filler Panel	000002176
11	Evaporator Right/Left Filler Panels	000002097
12	Front Panel Mount	000002190
13	Evaporator Top Frame Assembly	
14	Evaporator Bottom Frame Assembly	000001416
Miscellaneous – Brackets, Screws, etc.		
15	Screw, (Water Distribution Tube Mounting) Each (not shown)	50-0479-9
	a. O-Ring	50-0462-9
16	Screw, #12-16 x .687 Used to Mount Evaporator	50-1231-9
17	Water Pump Mount	000001202
18	Water Pump Base O-Ring	50-0465-9
19	Water Pump Outlet O-Ring	50-0467-9
20	Screw (water pump to pump mount)	52-0206-9
21	Washer (water pump to pump mount)	000002476

S2070C REFRIGERATION COMPARTMENT – COMMON PARTS



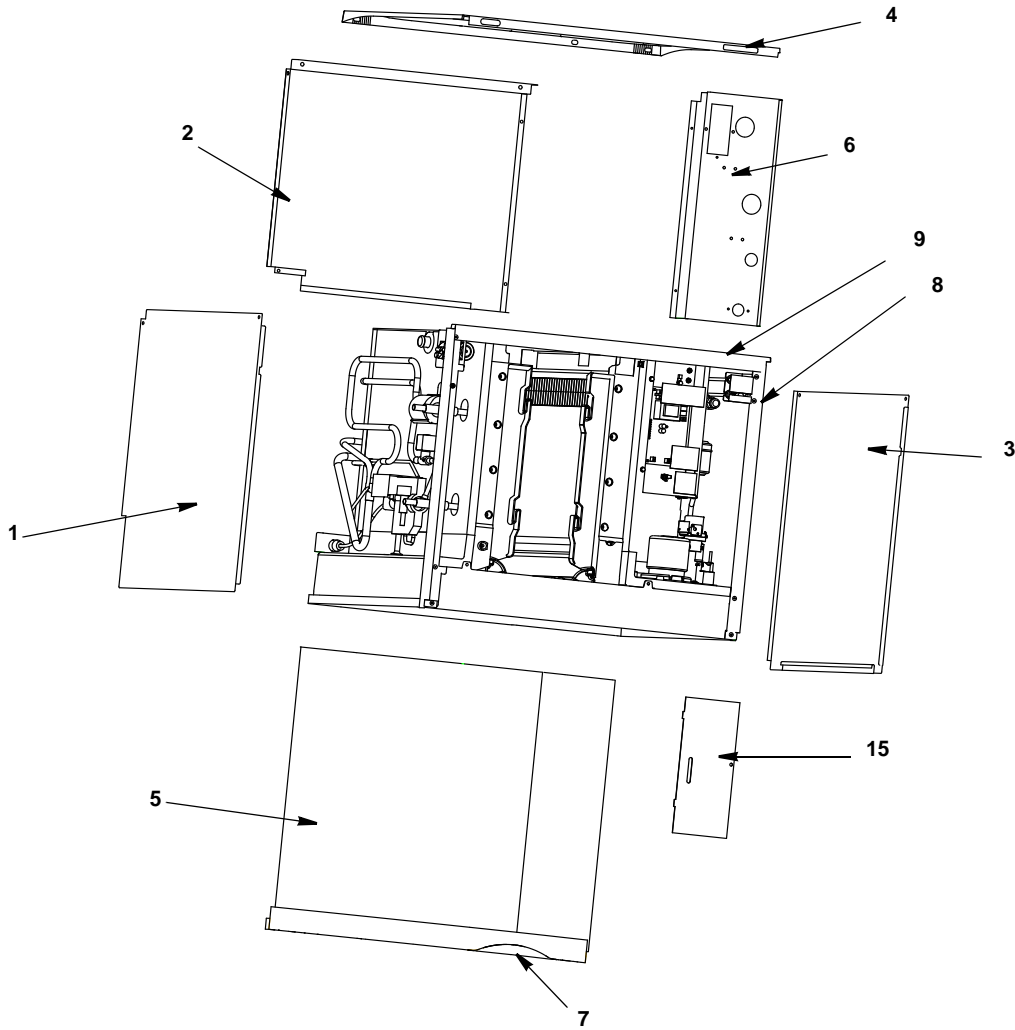
DESCRIPTION

		PART NO.
1	Water Dump Valve	
	a. 115V/60 Hz	000001767
	b. 208/230V / 50 Hz	000001768
2	Harvest Valve	
	a. Solenoid Valve with Electrical Coil (115V)	000002788
	b. Solenoid Valve with Coil (208/230V)	76-3012-3
	c. 115V/60 Hz Electrical Coil Only	000002048
	d. 208/230V 50 Hz Electrical Coil Only	000002049
3	Water Inlet Valve	
	a. Water Inlet Valve Including 115V/60 Hz Coil	000000377
	b. Water Inlet Valve Including 208/230V 50 Hz Electrical Coil	000000378
4	Expansion Valve	
	a. Expansion Valve Body Insulation Boot	76-0225-3
	b. Expansion Valve Bulb Insulation Boot	40-0040-3
5	Manual Shut-off Valve Suction Line	
	a. Bracket	40-0092-3
	b. Lockwasher	83-7328-3
	c. Screw	603626-1
6	Manual Shut-off Valve Liquid Line	
	a. Bracket	55-4510-9
	b. Lockwasher	50-3345-9
	c. Screw	83-7327-3
7	Receiver Service Valve	
	a. Valve Cap	† 83-7316-9
	b. Bracket	56-5075-3
8	Liquid Line Solenoid Valve	
	a. Liquid Line Solenoid Valve Including 115V/60 Hz Coil (Danfoss)	83-7330-3
	b. 115V/60 Hz Coil Only Danfoss	000002048
	c. Liquid Line Solenoid Valve Including 208/230V 50 Hz Electrical Coil (Danfoss)	76-3012-1
	d. 208/230V 50 Hz Coil Only Danfoss	000002049
9	Receiver	
	a. Bracket (bottom)	76-2959-3
	b. Bracket (top)	000001779
	c. Strap	000001780
	d. Pushnut, Bolt Retainer	630721-4
10	Check Valve	54-7488-9
11	Drier	83-7315-9
12	Strain Relief (not shown)	89-3027-9
13	Air Compressor	
	a. Air Compressor Pump 115V	25-0228-3
	b. Air Compressor Pump 230V	76-0352-9
	c. Manifold Tee (air pump tubing outlet)	000000444
	d. Bracket	40-1173-9
		000001496

Miscellaneous – Brackets, Screws, etc.

14	Dump Valve Mounting Bracket	000001911
15	Water Inlet Valve Wing Adapter	87-0609-3
16	Water Inlet Valve Wing Adapter Plastic Fitting	13-6096-1
17	Water Drain Female Wing Adapter	87-0608-3
18	Water Drain Tubing	000002340
19	Clamp, Water Drain	56-5070-9
20	Clamp, Expansion Valve Bulb	56-5052-9
21	Strap, Expansion Valve Bulb	30-0050-3
22	Screw, #10-24 x .50	52-0206-9
23	Water Inlet Valve Tubing (molded)	40-1043-9
24	Mylar Shield, water inlet valve	000002250
25	Bracket, manual shut-off valve liquid line	603672-1
26	Water Inlet Tubing	44-2029-1
27	Water Inlet Bracket	000002064 & 000001980
28	Service Valve Bracket	000002251
29	Vinyl Tubing (0.25 ID)	44-2088-3
30	Wiring Harness	000001932
31	Thumbscrew	50-0001-3
32	Screw (Slot Hex)	000002466
33	Compression Nut	56-5072-3
34	Clamp .799/.899 ID	56-5070-3

S2070C PANELS



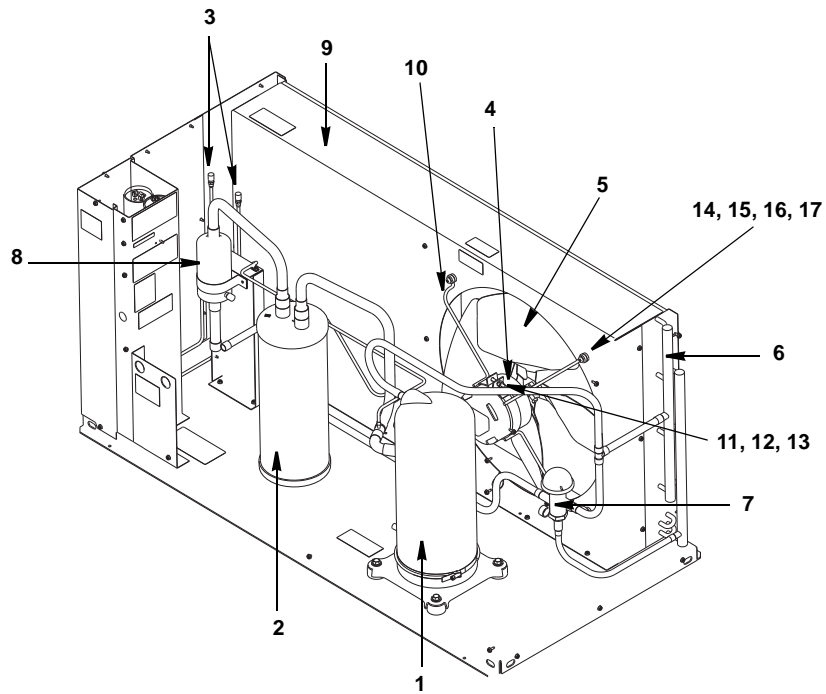
DESCRIPTION

	DESCRIPTION	PART NO.
1	Left Side Panel	000002464
2	Back Panel	000002462
3	Right Side Panel	000002463
4	Top Cover	40-1548-3
5	Front Door	000002190
6	Coupling Panel	000002016

Miscellaneous – Brackets, Screws, etc.

7	Front Door Screw	50-0559-3
	a. Shoulder Bolt	000000260
	b. Nut (for shoulder bolt)	000000305
8	Front Vertical Angle	000001139
9	Front Top Support	000001447
	a. Mounting Screw	52-0209-9
	b. Plastic Dome Head Plug	000002246
10	Bottom Front Angle	000001138
	a. Mounting Screw	50-0509-9
11	Screw, Top Cover, Side & Back Panels	50-0037-3
12	Spacer, Top Cover	000002288
13	Terminal Block 3 Pole 50 Hz	20-0614-9
14	Electrical Connection Box Cover	
	a. 60 Hz	606398-9
	b. 50 Hz	000002317
15	Control Box	
	a. 60 Hz	000002230
	b. 50 Hz	000002316

CVD2075 CONDENSING UNIT



pt1305

DESCRIPTION

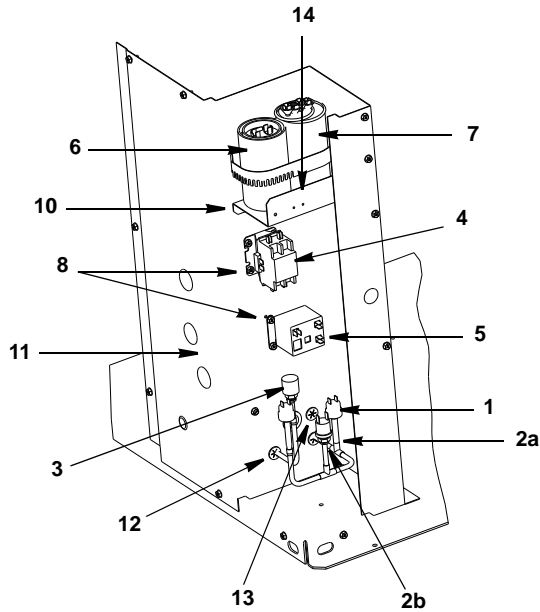
		PART NO.
1	Compressor	
	a. 208-230V/60 Hz/1 Ph	† 76-0059-3
	b. 208-230V/60 Hz/3 Ph	† 76-0060-3
	c. 220-240V/50 Hz/1 Ph	76-0061-3
	d. Crankcase Heater	82-5096-3
2	Accumulator	82-5047-3
3	Access Valve	83-7325-3
4	Fan Motor	
	a. 208-230V/60 Hz/1 Ph	† 20-0018-9
	b. 208-230V/50 Hz/1 Ph	† 20-0058-3
5	Fan Blade	82-5008-3
6	Air Condenser	88-5141-3
7	Head Pressure Control Valve	82-5007-3
8	Suction Line Filter	† 82-5055-9

Miscellaneous – Brackets, Screws, etc.

9	Fan Shroud	603870-1
10	Fan Motor Mounting Bracket	30-0025-3
11	Fan Motor Mounting Screw	† 50-3358-9
12	Fan Motor Mounting Lockwasher	† 55-4511-9
13	Fan Motor Mounting Hexnut	† 54-2952-9
14	Fan Bracket Mounting Screw	† 50-3358-9
15	Fan Bracket Mounting Lockwasher	† 55-4511-9
16	Fan Bracket Mounting Flatwasher	† 55-7305-9
17	Fan Bracket Mounting Rubber Wellnut	† 54-2955-9

† Refer to Cross Reference Guide

CVD2075 CONDENSING UNIT



pt1302

DESCRIPTION

	PART NO.
1 High Pressure Cut-Out Control	† 20-0124-3
2 Fan Cycling Control	
a.	† 20-0127-3
b.	† 20-0126-3
3 Low Pressure Cut-Out Control	20-0222-9
4 Contactor	
a. 208-230V/50-60/1 Ph	20-0030-3
b. 208-230V/50-60/3 Ph	20-0661-9

Start Components Copeland

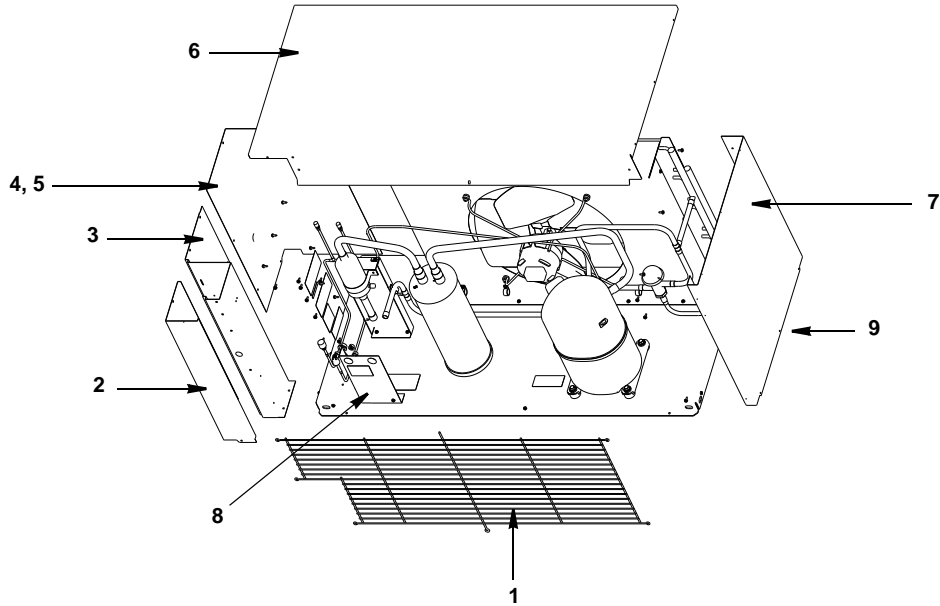
5 Start Relay 208-230V/60 Hz/1 Ph	20-0757-9
a. Start Relay 230V/50 Hz/1 Ph	20-0757-9
6 Start Capacitor 208-230V/60 Hz/1 Ph	000000021
a. Start Capacitor 230V/50 Hz/1 Ph	85-0552-3
7 Run Capacitor 208-230V/60 Hz/1 Ph	82-5024-3
a. Run Capacitor 230V/50 Hz/1 Ph	85-0449-3

Miscellaneous – Brackets, Screws, etc.

8 Screw, #10-24 x .50	† 52-0206-9
9 Capacitor Mounting Strap	602160-1
10 Capacitor Mounting Bracket	603498-1
11 Ground Screw	† 52-0216-9
12 Bushing	† 25-0016-9
13 Bushing	† 25-0002-9
14 Tenninal Block 230V/50 Hz/1 Ph Only (location only shown)	20-0614-3
15 Wiring Harness (Not shown)	
a. 208-230V/60 Hz/1 Ph	20-0024-9
b. 230/50 Hz/1 Ph	20-0059-3

† Refer to Cross Reference Guide

CVD2075 CONDENSING UNIT PANELS



pt1303

DESCRIPTION

DESCRIPTION	PART NO.
1 Condenser Fan Guard	30-0014-3
2 Control Box Cover	† 604017-1
3 Control Box Panel	603707-1
4 Left Side Panel 1875	603876-1
5 Left Side Panel 2075	603877-1
6 Cover Top	603875-1
7 Right Side Panel	603874-1
8 Tubing Shield	† 604226-1

Miscellaneous – Brackets, Screws, etc.

9 Screw, #10-24 x .50 Hex	† 52-0206-9
-------------------------------------	-------------

INTENTIONALLY LEFT BLANK