



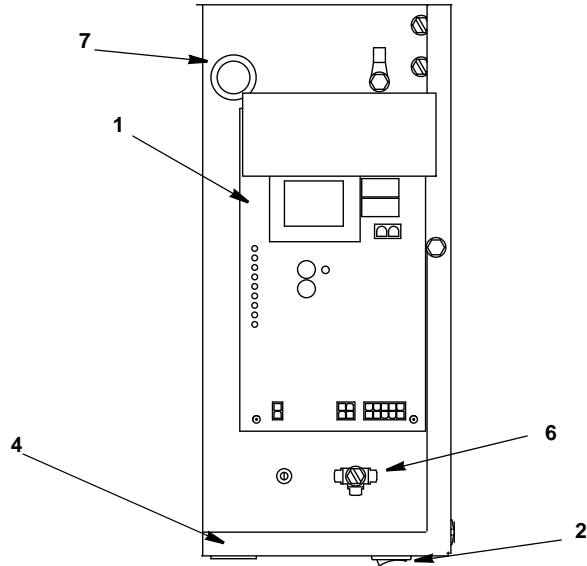
## **Ice Machine Parts List for Series S2170C Models**

**SD2172C**

**CVD2085**

**SY2174C**

## S2170C CONTROL BOX



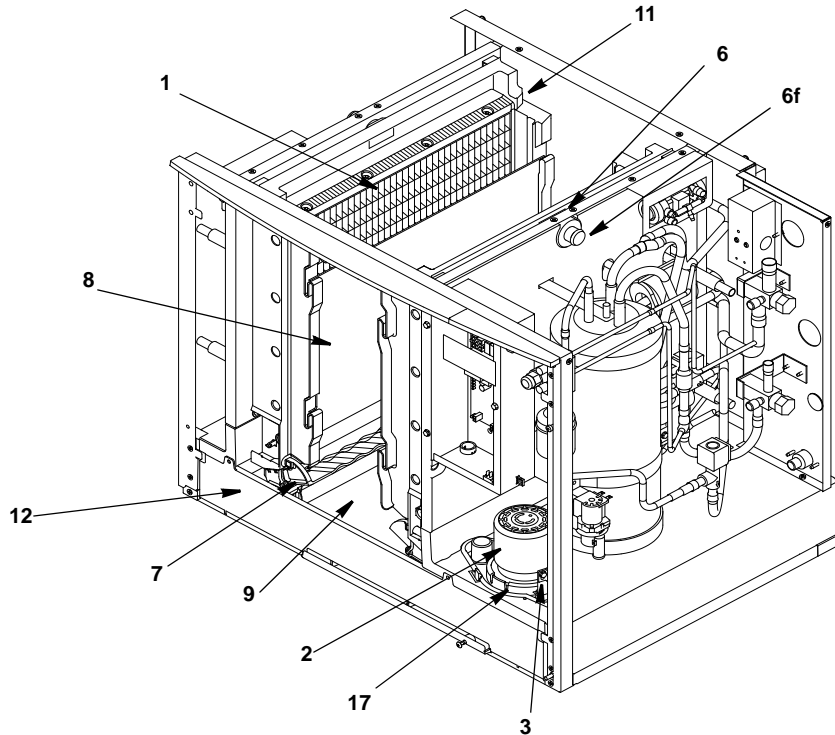
### DESCRIPTION

	<b>PART NO.</b>
1 Control Board (for use with all voltages) . . . . .	20-0619-9
a. 7 Amp Fuse – Mounted on Control Board . . . . .	25-1100-3
2 <b>Toggle Switch</b> Only . . . . .	20-0793-9
a. Toggle Switch Wiring Harness . . . . .	000001927
3 Refrigeration Service Valve Assembly (not shown) . . . . .	83-7326-3

### Miscellaneous – Brackets, Screws, etc.

4 Control Box . . . . .	000001811
a. Control Box Cover (Not shown) . . . . .	000001812
5 Control Board Mounting Supports (Not shown) . . . . .	43-0225-3
6 Screw, #10-24 x .50 Ground . . . . .	52-0216-9
a. Star Washer . . . . .	55-7320-9
7 Bushing . . . . .	25-0016-3
8 <b>Control Box Wiring Harness (Not shown)</b>	
a. 115V/60Hz/1Ph . . . . .	000001930

## S2170C EVAPORATOR COMPARTMENT

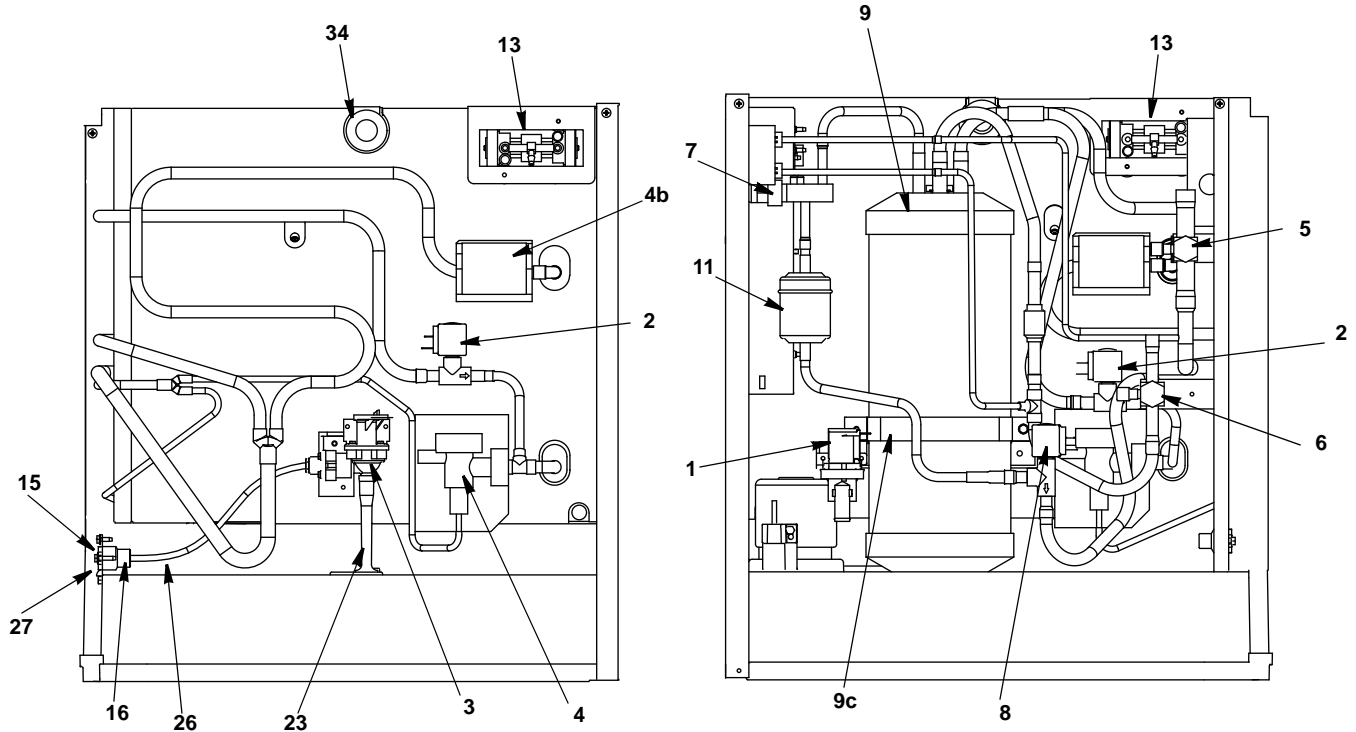


### DESCRIPTION

### PART NO.

1	<b>Evaporator Assembly</b>	
	a. Half Dice Cube . . . . .	
2	<b>Water Pump</b>	
	a. 115V/60 Hz . . . . .	000001153
3	<b>Water Level Probe</b>	20-0654-9
	a. Holder . . . . .	20-0655-9
	b. Bracket . . . . .	000002070
	c. Wire, control box to probe . . . . .	20-0798-9
	d. Screw (to mount water level probe holder) . . . . .	52-0232-9
4	Ice Thickness Control Probe (not shown) . . . . .	20-0802-9
	a. Clip (holds ice thickness probe wire to bulkhead) . . . . .	56-5090-9
5	<b>Magnetic Bin Switch</b>	
	a. Left Side . . . . .	000001756
	b. Right Side . . . . .	000001757
	c. Covers . . . . .	000001421
6	<b>Water Distribution Tube Assembly</b>	76-0219-3
	a. Molded Vinyl Tube (to Right Hand Distribution Tube) . . . . .	000001118
	b. Molded Vinyl Tube (to Left Hand Distribution Tube) . . . . .	000001117
	c. Barbed Fitting . . . . .	000001986
	d. Clamp (for barbed fitting) . . . . .	56-5060-9
	e. Clamp (vinyl tubes to distribution tubes) . . . . .	56-5053-9
	f. Fitting (through bulkhead) . . . . .	40-1469-3
	g. Fitting Bracket . . . . .	000001923
7	<b>Ice Damper Assembly</b> . . . . .	000002056
8	<b>Splash Shields</b> . . . . .	000002785
9	<b>Water Trough</b> . . . . .	000001097
10	<b>Evaporator Top Filler Panel</b> . . . . .	000002176
11	<b>Evaporator Right/Left Filler Panels</b> . . . . .	000002097
12	<b>Front Panel Mount</b> . . . . .	000002190
13	<b>Evaporator Top Frame Assembly</b> . . . . .	
14	<b>Evaporator Bottom Frame Assembly</b> . . . . .	000001416
<b>Miscellaneous – Brackets, Screws, etc.</b>		
15	Screw, (Water Distribution Tube Mounting) Each (not shown) . . . . .	50-0479-9
	a. O-Ring . . . . .	50-0462-9
16	Screw, #12-16 x .687 Used to Mount Evaporator . . . . .	50-1231-9
17	<b>Water Pump Mount</b> . . . . .	000001202
18	<b>Water Pump Base O-Ring</b> . . . . .	50-0465-9
19	<b>Water Pump Outlet O-Ring</b> . . . . .	50-0467-9
20	<b>Screw (water pump to pump mount)</b> . . . . .	52-0206-9
21	<b>Washer (water pump to pump mount)</b> . . . . .	000002476

## S2170C REFRIGERATION COMPARTMENT – COMMON PARTS



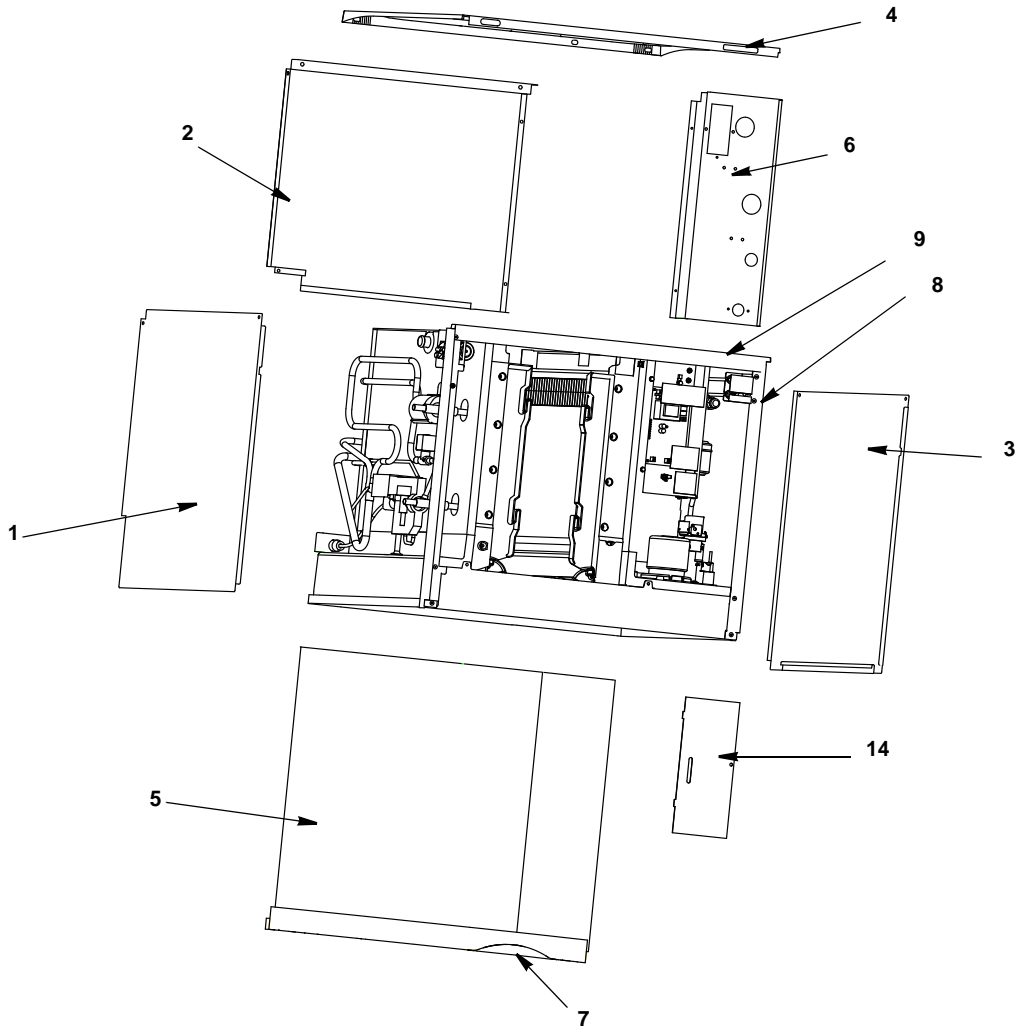
### DESCRIPTION

		<b>PART NO.</b>
<b>1</b>	<b>Water Dump Valve</b>	
	a. 115V/60 Hz .....	000001767
<b>2</b>	<b>Harvest Valve</b>	
	a. Solenoid Valve with Electrical Coil (115V) .....	000002788
	b. Solenoid Valve with Coil (208/230V) .....	76-3012-3
	c. 115V Electrical Coil Only .....	000002048
	d. 208/230V Electrical Coil Only .....	000002049
<b>3</b>	<b>Water Inlet Valve</b>	
	a. Water Inlet Valve Including 115V Coil .....	000000377
	b. Water Inlet Valve Including 208/230V Coil .....	000000378
<b>4</b>	<b>Expansion Valve</b>	
	a. Expansion Valve Body Insulation Boot .....	76-0225-3
	b. Expansion Valve Bulb Insulation Boot .....	40-0040-3
<b>5</b>	<b>Manual Shut-off Valve Suction Line</b>	
	a. Bracket .....	83-7328-3
	b. Lockwasher .....	603626-1
	c. Screw .....	55-4510-9
<b>6</b>	<b>Manual Shut-off Valve Liquid Line</b>	
	a. Bracket .....	50-3345-9
<b>7</b>	<b>Receiver Service Valve</b>	
	a. Valve Cap .....	83-7327-3
<b>8</b>	<b>Liquid Line Solenoid Valve</b>	
	a. Liquid Line Solenoid Valve Including 115V Coil (Danfoss) .....	83-7316-9
	b. 115V Coil Only (Danfoss) .....	56-5075-3
	c. Liquid Line Solenoid Valve Including 208/230V Electrical Coil (Danfoss) .....	83-7330-3
	d. 208/230V Coil Only (Danfoss) .....	000002048
<b>9</b>	<b>Receiver</b>	
	a. Bracket (bottom) .....	76-2959-3
	b. Bracket (top) .....	000001779
	c. Strap .....	000001780
	d. Pushnut, Bolt Retainer .....	630721-4
<b>10</b>	<b>Check Valve</b>	
	a. Check Valve .....	54-7488-9
<b>11</b>	<b>Drier</b>	
	a. Drier .....	000001290
<b>12</b>	<b>Strain Relief (not shown)</b>	
	a. Strain Relief .....	89-3027-9
<b>13</b>	<b>Air Compressor</b>	
	a. Air Compressor Pump 115V .....	25-0228-3
	b. Air Compressor Pump 230V .....	76-0352-9
	c. Manifold Tee (air pump tubing outlet) .....	000000444
	d. Bracket .....	40-1173-9

**Miscellaneous – Brackets, Screws, etc.**

14	Dump Valve Mounting Bracket . . . . .	000001911
15	Water Inlet Valve Wing Adapter . . . . .	87-0609-3
16	Water Inlet Valve Wing Adapter Plastic Fitting . . . . .	13-6096-1
17	Water Drain Female Wing Adapter . . . . .	87-0608-3
18	Water Drain Tubing . . . . .	000002340
19	Clamp, Water Drain . . . . .	56-5070-9
20	Clamp, Expansion Valve Bulb . . . . .	56-5052-9
21	Strap, Expansion Valve Bulb . . . . .	30-0050-3
22	Screw, #10-24 x .50 . . . . .	52-0206-9
23	Water Inlet Valve Tubing (molded) . . . . .	40-1043-9
24	Mylar Shield, water inlet valve . . . . .	000002250
25	Bracket, manual shut-off valve liquid line . . . . .	603672-1
26	Water Inlet Tubing . . . . .	44-2029-1
27	Water Inlet Bracket . . . . .	000002064 & 000001980
28	Service Valve Bracket . . . . .	000002251
29	Vinyl Tubing (0.25 ID) . . . . .	44-2088-3
30	Wiring Harness . . . . .	000001932
31	Thumbscrew . . . . .	50-0001-3
32	Screw (Slot Hex) . . . . .	000002466
33	Compression Nut . . . . .	56-5072-3
34	Clamp .799/.899 ID . . . . .	56-5070-3

# S2170C PANELS



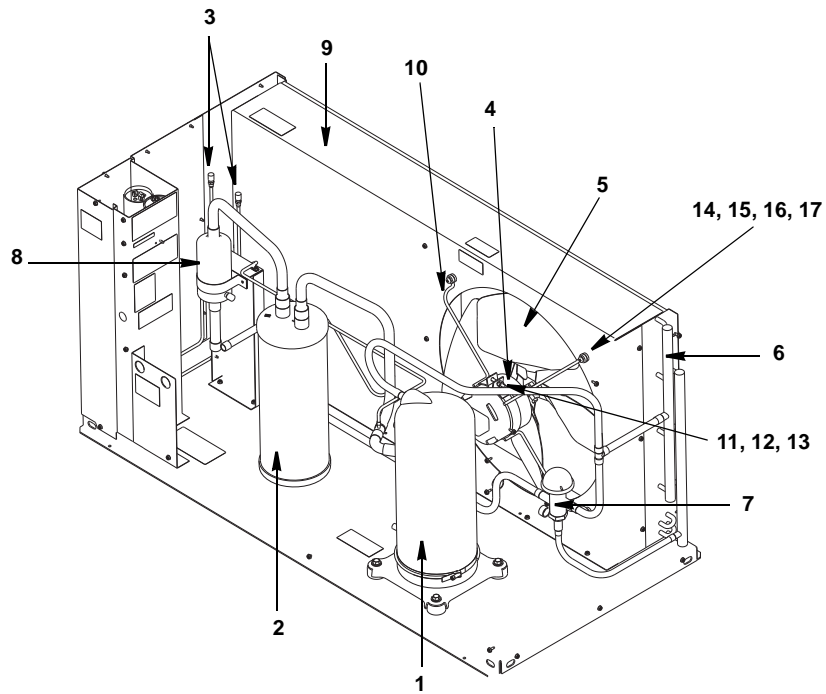
## DESCRIPTION

	DESCRIPTION	PART NO.
1	Left Side Panel .....	000002464
2	Back Panel .....	000002462
3	Right Side Panel .....	000002463
4	Top Cover .....	40-1548-3
5	Front Door .....	000002190
6	Coupling Panel .....	000002016

## Miscellaneous – Brackets, Screws, etc.

7	Front Door Screw .....	50-0559-3
	a. Shoulder Bolt .....	000000260
	b. Nut (for shoulder bolt) .....	000000305
8	Front Vertical Angle .....	000001139
9	Front Top Support .....	000001447
	a. Mounting Screw .....	52-0209-9
	b. Plastic Dome Head Plug .....	000002246
10	Bottom Front Angle .....	000001138
	a. Mounting Screw .....	50-0509-9
11	Screw, Top Cover, Side & Back Panels .....	50-0037-3
12	Spacer, Top Cover .....	000002288
13	Electrical Connection Box Cover .....	606398-9
14	Control Box .....	000002230

# CVD2085 CONDENSING UNIT



pt1305

## DESCRIPTION

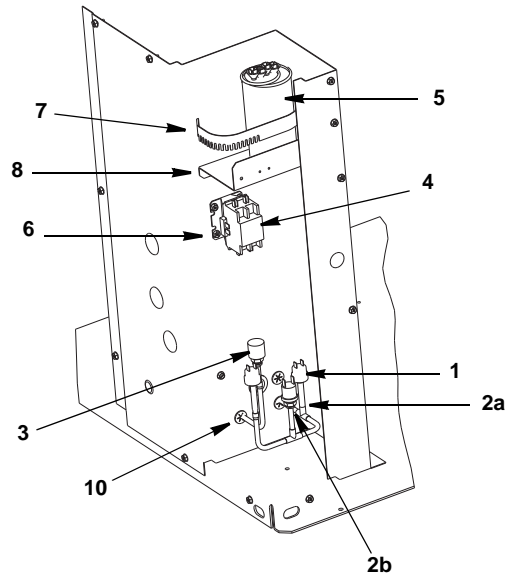
		PART NO.
1	Compressor	
	a. 208-230V/60 Hz/1 Ph . . . . .	000002771
	b. 208-230V/60 Hz/3 Ph . . . . .	000002772
	c. Crankcase Heater . . . . .	82-5096-3
2	Accumulator . . . . .	82-5047-3
3	Access Valve . . . . .	83-7325-3
4	Fan Motor	
	a. 208-230V/60 Hz/1 Ph . . . . .	† 20-0018-9
5	Fan Blade . . . . .	82-5008-3
6	Air Condenser . . . . .	88-5141-3
7	Head Pressure Control Valve . . . . .	000002791
8	Suction Line Filter . . . . .	† 82-5055-9

## Miscellaneous – Brackets, Screws, etc.

9	Fan Shroud . . . . .	000002790
10	Fan Motor Mounting Bracket . . . . .	30-0025-3
11	Fan Motor Mounting Screw . . . . .	† 50-3358-9
12	Fan Motor Mounting Lockwasher . . . . .	† 55-4511-9
13	Fan Motor Mounting Hexnut . . . . .	† 54-2952-9
14	Fan Bracket Mounting Screw . . . . .	† 50-3358-9
15	Fan Bracket Mounting Lockwasher . . . . .	† 55-4511-9
16	Fan Bracket Mounting Flatwasher . . . . .	† 55-7305-9
17	Fan Bracket Mounting Rubber Wellnut . . . . .	† 54-2955-9

† Refer to Cross Reference Guide

# CVD2085 CONDENSING UNIT, CONTROL BOX



pt1302

## DESCRIPTION

	<b>PART NO.</b>
1 High Pressure Cut-Out Control . . . . .	† 20-0124-3
2 Fan Cycling Control . . . . .	† 20-0126-3
3 Low Pressure Cut-Out Control . . . . .	20-0222-9
4 Contactor	
a. 208-230V/60/1 Ph . . . . .	20-0030-3
b. 208-230V/60/3 Ph . . . . .	20-0661-9

## Start Components Copeland

5 Run Capacitor 208-230V/60 Hz/1 Ph . . . . .	000000025
-----------------------------------------------	-----------

## Miscellaneous – Brackets, Screws, etc.

6 Screw, #10-24 x .50 . . . . .	† 52-0206-9
7 Capacitor Mounting Strap . . . . .	602160-1
8 Capacitor Mounting Bracket . . . . .	603498-1
9 Ground Screw . . . . .	† 52-0216-9
10 Bushing . . . . .	† 25-0016-9
11 Bushing . . . . .	† 25-0002-9
12 Wiring Harness (Not shown)	

### Main

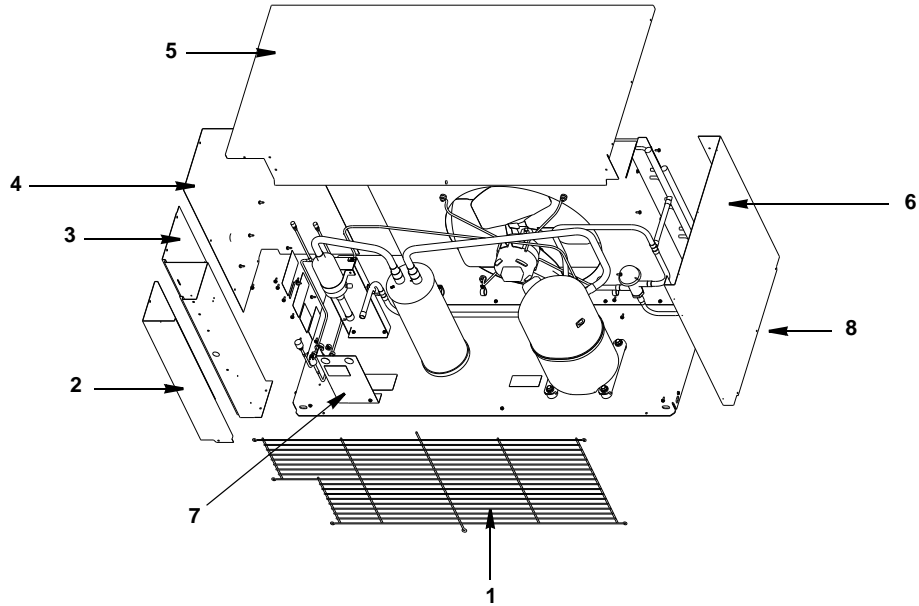
a. 208-230V/60/1 Ph . . . . .	000002792
b. 208-230V/60/3 Ph . . . . .	000002793

### Compressor

a. 208-230V/60/1 Ph . . . . .	000002794
b. 208-230V/60/3 Ph . . . . .	000001369



## CVD2085 CONDENSING UNIT PANELS



pt1303

### DESCRIPTION

	<b>PART NO.</b>
1 Condenser Fan Guard .....	30-0014-3
2 Control Box Cover .....	† 604017-1
3 Control Box Panel .....	603707-1
4 Left Side Panel .....	603877-1
5 Cover Top .....	603875-1
6 Right Side Panel .....	603874-1
7 Tubing Shield .....	† 604226-1

### Miscellaneous – Brackets, Screws, etc.

8 Screw, #10-24 x .50 Hex .....	† 52-0206-9
---------------------------------	-------------

**INTENTIONALLY LEFT BLANK**