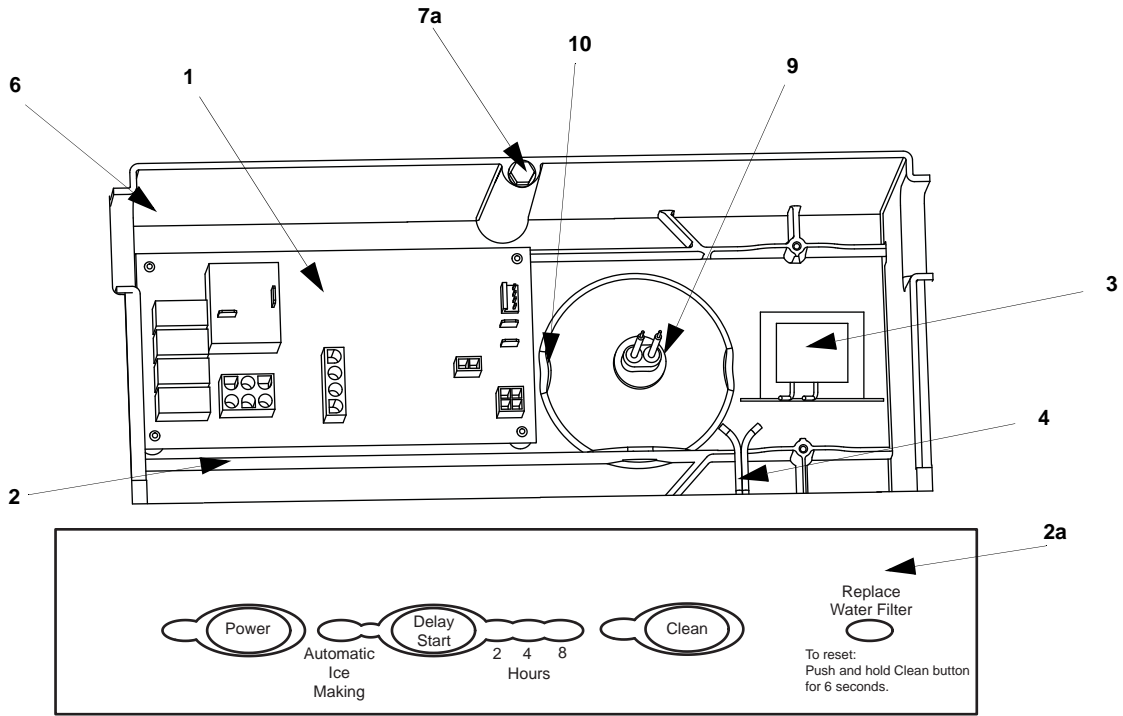




**Ice Machine Parts List for
Series SM050 Models**

SM050A

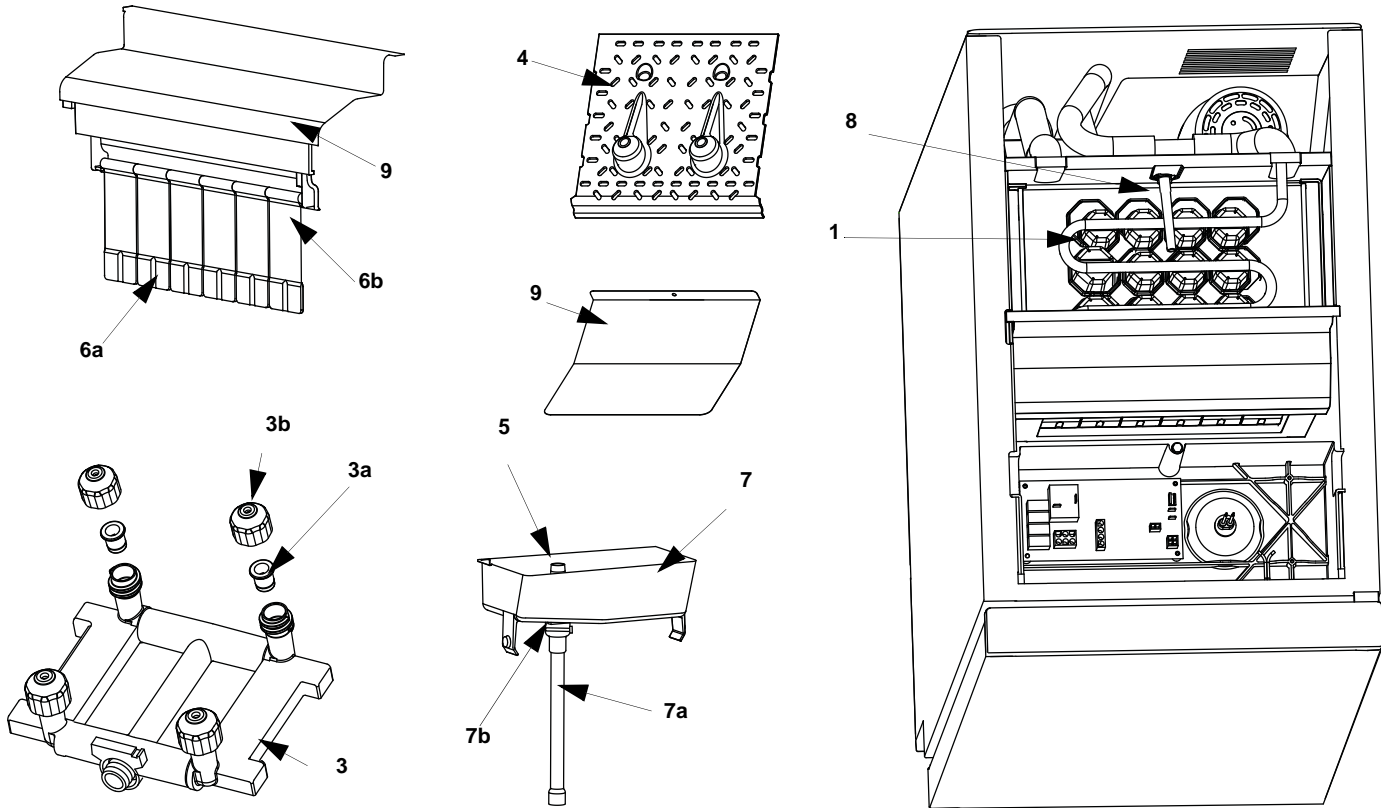
SM50 CONTROL BOX



DESCRIPTION

| | PART NO. |
|--|-----------------|
| 1 Control Board, main | 000000653 |
| a. 10 Amp Fuse (not shown) | 25-1149-3 |
| 2 Control Board, user interface | 000001684 |
| 2a Label, control board overlay | 000000665 |
| 3 Transformer | 000000652 |
| 4 Wiring Harness (control panel to control board) | 000000655 |
| 5 Proximity Switch Harness | 000000656 |
| 6 Control Box | 000003012 |
| 7 Control Box Cover (not shown) | 000000663 |
| a. Screw | 50-0502-9 |
| 8 Wiring Harness | |
| a. High Voltage (Harvest Valve, Water Inlet Valve) | 000000668 |
| b. Low Voltage (Toggle Switch, Thermistor) | 000000669 |
| 9 Lamp Holder | 000000664 |
| 10 Bin Light Clear Cover | 000000667 |
| 11 Light Bulb (not shown) | 000000666 |

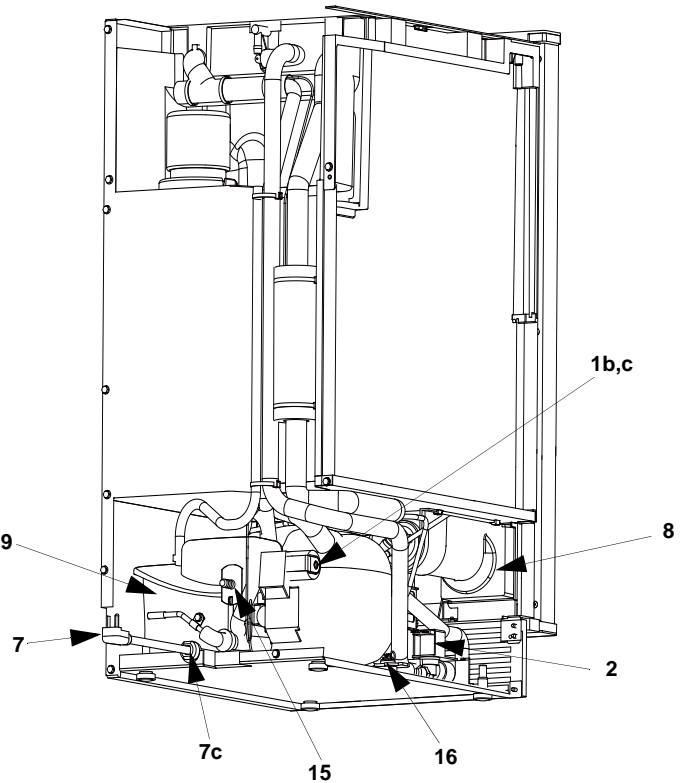
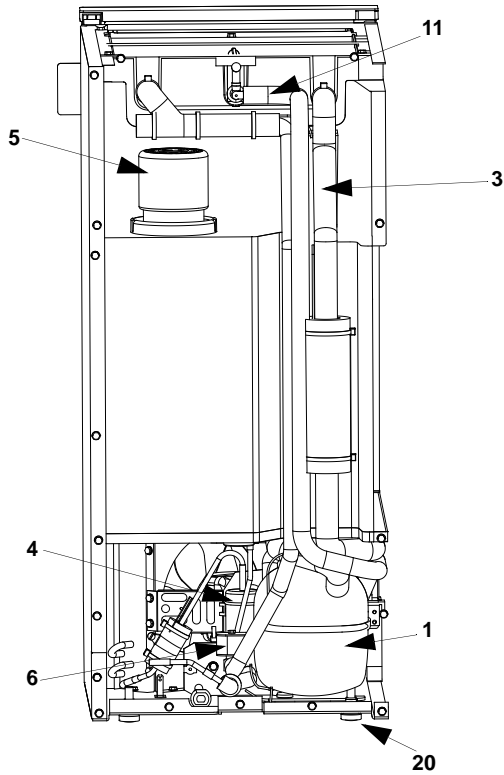
SM50 EVAPORATOR ASSEMBLY



DESCRIPTION

| | DESCRIPTION | PART NO. |
|----|-------------------------------------|-----------|
| 1 | Evaporator Assembly | 30-0642-9 |
| 2 | Bin Thermostat | |
| | a. Control | 040000815 |
| | b. Clip | 000005435 |
| 3 | Spray Bar Assembly | 76-0342-3 |
| | a. Insert (each) | 40-0877-9 |
| | b. Nozzle (each) | 40-0876-9 |
| | c. O-ring | 50-0463-9 |
| 4 | Ice Ramp | 040000781 |
| 5 | Standpipe Assembly | |
| | a. Standpipe | 00000670 |
| 6 | Curtain Assembly | |
| | a. Paddle (each uses 6 per machine) | 040000779 |
| | b. Rod | 00000671 |
| 7 | Water Trough | 00000672 |
| | a. Vinyl Tube (trough to drain) | 00000673 |
| | b. Clamp | 50-0508-9 |
| 8 | Evaporator Water Inlet Fitting | 040000691 |
| 9 | Evaporator Cover | 40-1432-9 |
| 10 | Foam Block Kit | 040000705 |

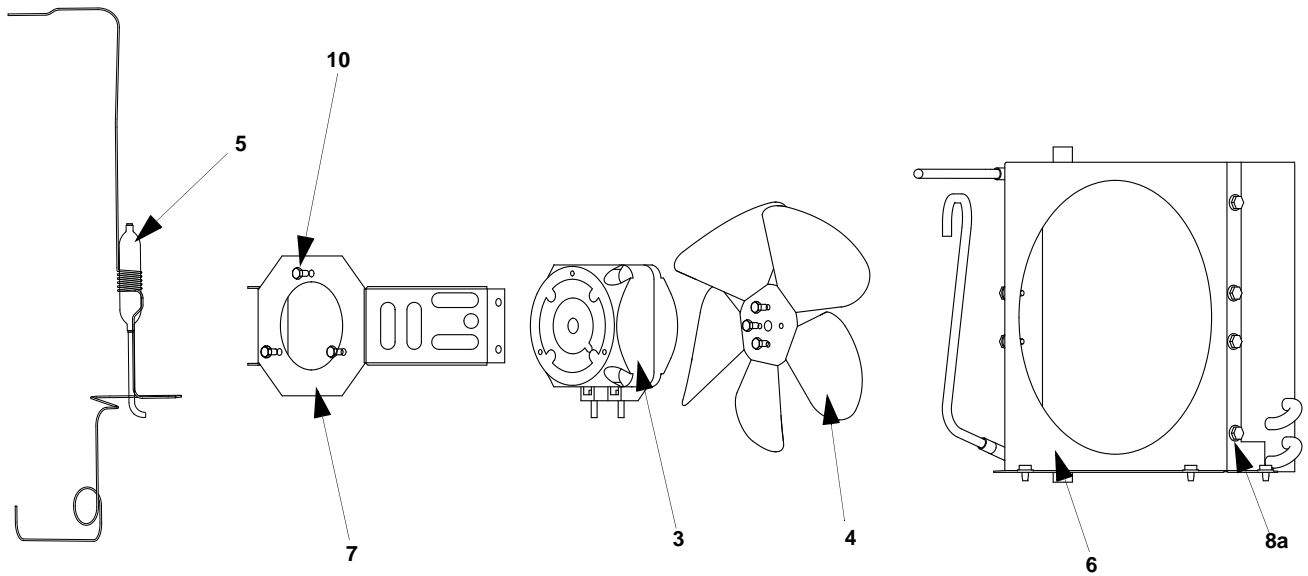
SM50 REFRIGERATION COMPARTMENT – COMMON PARTS



DESCRIPTION

| | DESCRIPTION | PART NO. |
|-----|---|---------------------|
| 1 | Compressor | |
| | a. 115/60/1 Ph. | 000000674 |
| | b. Start Relay | 000000675 |
| | c. Start Relay Cover | 82-5348-9 |
| | d. Start Capacitor | 000000676 |
| | e. Overload Protector | 000000677 |
| 2 | Harvest Valve | |
| | a. Harvest Valve | 76-2963-3 |
| | b. Harvest Valve Coil Only | No Longer Available |
| 3 | Cap Tube/Heat Exchanger Assembly | 000000679 |
| 4 | Line Drier | 82-5216-9 |
| 5 | Water Pump | |
| | a. 115/60/1 Ph. | 000000680 |
| 6 | Water Inlet Valve | 000000681 |
| | a. Bracket | 000000683 |
| | b. Fitting | 000000689 |
| | c. Compression Nut | 000000682 |
| | d. Compression Sleeve | 000000684 |
| 7 | Power Cord 115/60/1 | 000000685 |
| | a. Strain Relief Bushing. | 25-1204-3 |
| 8 | Water Filter | K00374 |
| | a. Vinyl Tube (.375 id x 37.5 long) | 44-2029-1 |
| | b. Filter Head | 000000688 |
| | c. Speedfit (1/4" x 1/4") | 000001180 |
| | d. Fitting | 000000469 |
| | e. Clamp | 000000690 |
| | f. Enclosure | 040000543 |
| 9 | Drain Pump | 000000687 |
| 10 | Thermistor | 20-0985-3 |
| | Miscellaneous – Brackets, Screws, etc. | |
| 11 | Vinyl Tubing (Pump to Spray Bar) | 000000693 |
| 12 | Spray Bar Clamp | 56-5053-9 |
| 13 | Bin Drain Tube with Drain Pump | 000000691 |
| 13a | Bin Drain Tube without Drain Pump | 000000692 |
| 14 | Drain Line Clamp | 56-5073-3 |
| 15 | Drain Fitting Barbed | 40-1128-9 |
| 16 | Compressor Mounting | |
| | a. Compressor Hairpin Clip | 56-4828-9 |
| | b. Compressor Sleeve | 000000678 |
| | c. Compressor Rubber Gromet. | 50-0089-9 |
| 17 | Back Utility Panel | 000000686 |
| 18 | Drain Pump Vent Tube (26" long) | 44-2124-3 |
| 19 | Drain Tube (19mm ID x 5' long) | 30-0456-1 |
| 20 | Leg Levelers | 50-0590-9 |

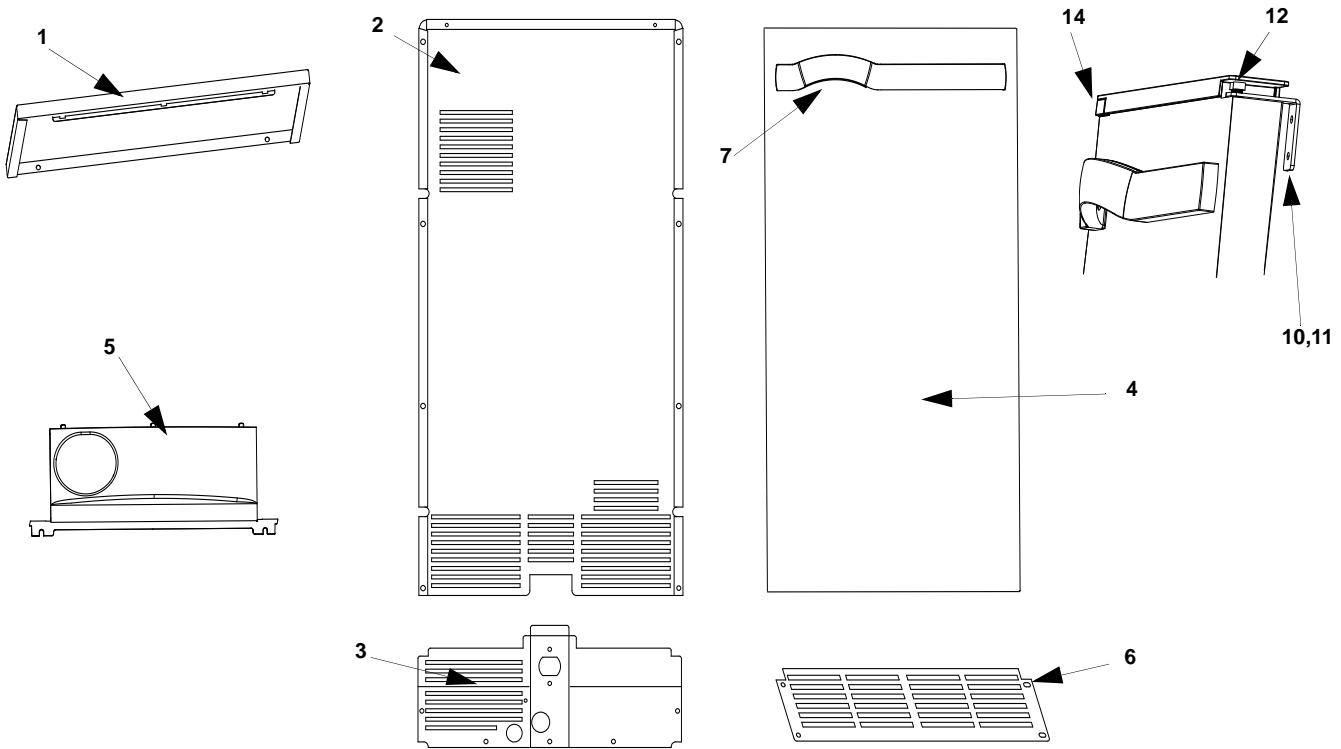
SM50 REFRIGERATION COMPARTMENT – AIR-COOLED



DESCRIPTION

| | PART NO. |
|--|-----------------|
| 1 Compressor (Refer to COMMON PARTS Page) | Page SM50-4 |
| 2 Air Condenser | 82-5290-3 |
| 3 Fan Motor | |
| a. 115V/60 Hz | 000000694 |
| 4 Fan Blade | 30-0566-9 |
| 5 Cap Tube/Heat Exchanger Assembly | 000000679 |
| Miscellaneous – Brackets, Screws, etc. | |
| 6 Fan Shroud | 606822-9 |
| 7 Fan Motor Mounting Bracket | 606823-9 |
| 8 Mounting Base | 56-5061-9 |
| 8a Screw Hex 5 x 31 mm (bracket to shroud) | 50-0449-9 |
| 9 Baffle - Air Condenser | 000000695 |
| 10 Screw Php 7 x 7 mm (motor to bracket) | 50-0485-9 |
| 11 Screw .7 x 8 mm | 50-0551-3 |

SM50 PANELS



| | | |
|----|--------------------------------------|-----------|
| 1 | Top Cover | |
| | a. Before Serial Number 310057169 | 00000706 |
| | b. After Serial Number 310057169 | 04000792 |
| 2 | Back Panel | 000002795 |
| 3 | Back Utility Panel | 000002796 |
| 4 | Front Door Assembly | |
| | a. Before Serial Number 310046309 | 00000705 |
| | b. After Serial Number 310046309 | 04000696 |
| 5 | Water Filter Panel | 00000696 |
| 6 | Front Grill | 00000697 |
| 7 | Door Handle | 00000708 |
| 8 | Door Gasket Seal | 00000709 |
| 9 | Screw | 50-0581-3 |
| 10 | Door Hinge Bracket | 00000698 |
| 11 | Door Hinge Bracket Cover (not shown) | 00000699 |
| 12 | Door Pivot Pin | 00000700 |
| 13 | Door Trim Cover | |
| | a. Before Serial Number 310057169 | 00000704 |
| | b. After Serial Number 310057169 | 00000555 |
| 14 | Corner Filler | |
| | a. Before Serial Number 310057169 | 00000703 |
| | b. After Serial Number 310057169 | 00000626 |
| 15 | Shoulder Bushing, Door Pin | 00000702 |
| 16 | Ice Scoop | 33-0258-3 |
| 17 | Leg Levelers | 50-0590-9 |