



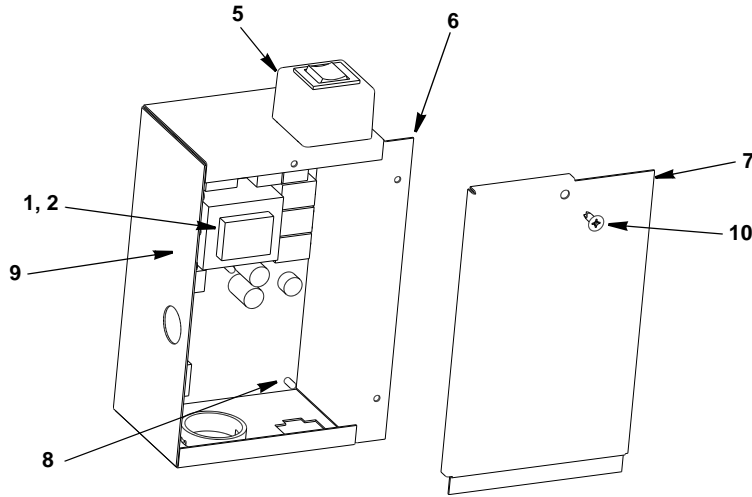
**Ice Machine Parts List for  
SU1000C Series**

**SU1024YC**

**CVD1075**

**CVD1285**

## SU1024YC CONTROL BOX



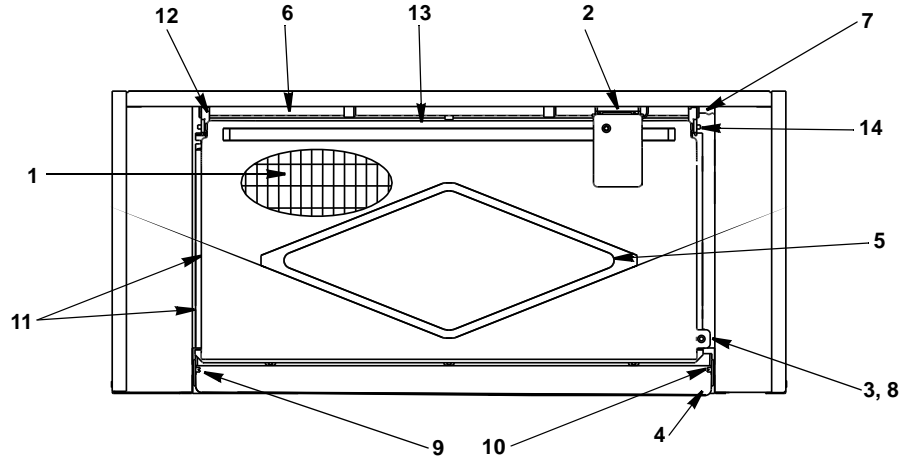
SV3000

### DESCRIPTION

### PART NUMBER

1	Control Board (for use with all voltages) . . . . .	† 76-2782-3
2	7 amp Fuse – Mounted on Control Board. . . . .	25-1100-3
3	<b>Wiring Harness Control Box</b> (Not shown)	
	a. 115V/60 Hz/1 ph . . . . .	20-0077-3
	b. 208-230V/60 Hz/1 ph. . . . .	20-0077-3
	c. 230V/50 Hz/1 ph . . . . .	20-0077-3
4	<b>Wiring Harness From Control Box</b> (Not shown)	
	a. 115V/60 Hz/1 ph . . . . .	20-0112-3
	b. 208-230V/60 Hz/1 ph. . . . .	20-0112-3
	c. 230V/50 Hz/1 ph . . . . .	20-0112-3
5	<b>Toggle Switch</b> (Only) . . . . .	23-0134-3
	a. Toggle Switch With Wiring Harness Attached . . . . .	20-0113-3
	b. Mounting Box. . . . .	40-0056-3
<b>Miscellaneous – Screws, Supports, etc.</b>		
6	Control Box . . . . .	604739-1
7	Control Box Cover . . . . .	76-0116-3
8	Control Board Mounting Supports . . . . .	43-0225-3
9	Screw, #10-24 x .50 Ground . . . . .	† 52-0216-9
10	Screw, 10 x 24 x .50 Phillips . . . . .	† 52-0209-9

## SU1024YC EVAPORATOR COMPARTMENT



PT370

### DESCRIPTION

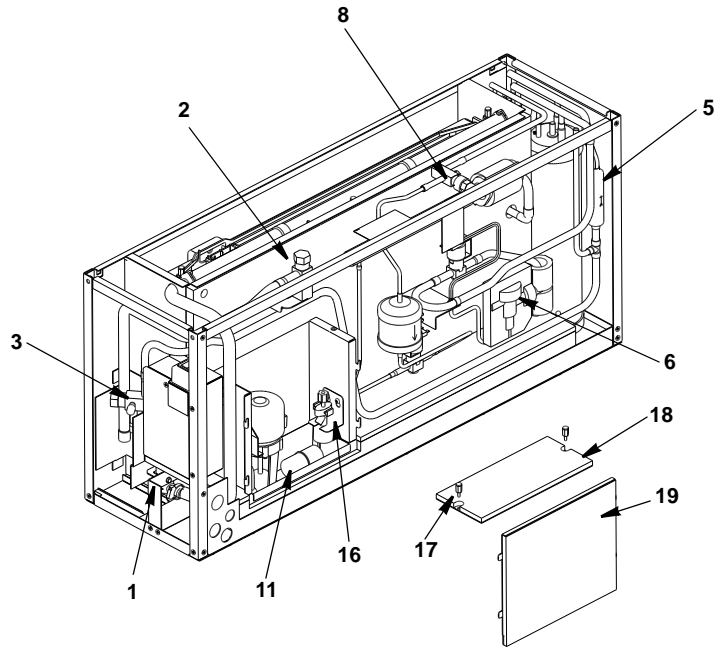
	<b>PART NUMBER</b>
1 Evaporator Assembly Half Dice Cube . . . . .	76-0096-3
2 Ice Thickness Control Probe . . . . .	† 76-2781-3
3 Magnetic Bin Switch (Mounted to Evaporator). . . . .	† 23-0148-3
4 Water Trough . . . . .	40-0468-3
5 Water Curtain . . . . .	40-0944-3
6 Water Distribution Tube . . . . .	43-0322-3
7 Vinyl Tubing Water Distribution Tube to Water Pump . . . . .	40-0412-3

### Miscellaneous – Brackets, Screws, etc.

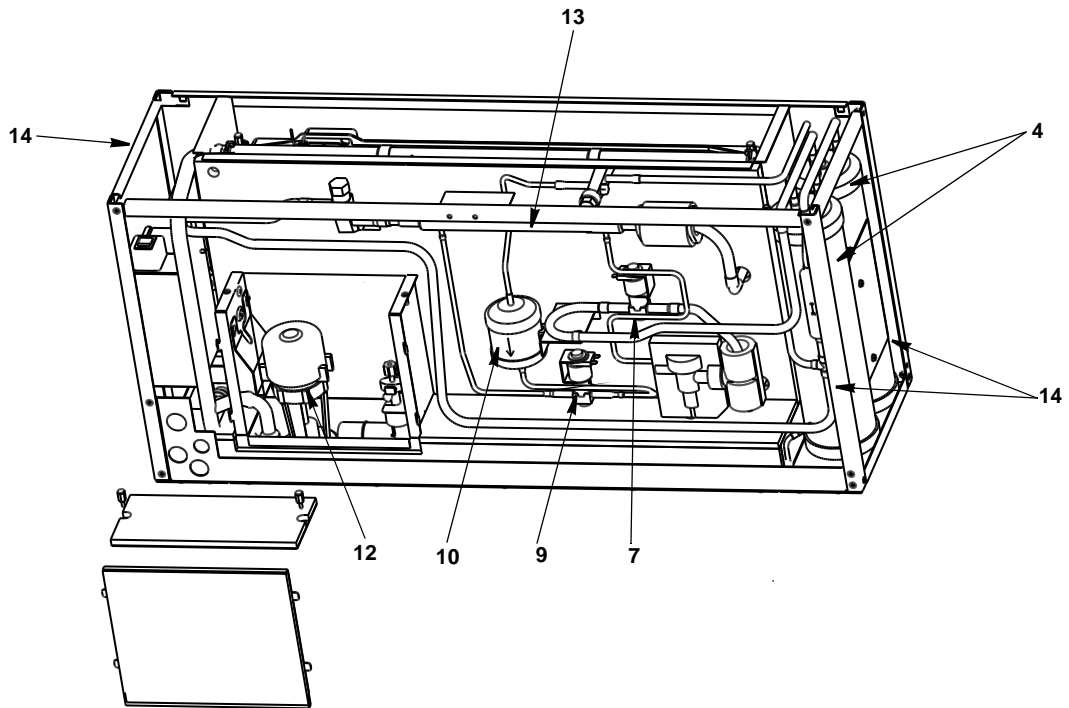
8 Water Curtain Magnet With Attachment Clip . . . . .	† 76-2802-3
9 Quarter Turn Fastener Male (Water Trough and Water Pump Mounting) . . . . .	50-0045-3
10 Quarter Turn Fastener Receptacle Female (Water Trough and Water Pump Mounting). . . . .	56-5085-3
11 Screw 10 x 24 x .75 with washer Evaporator Mounting . . . . .	† 52-0218-9
12 Screw, #8-32 x .63 Water Distribution Tube Mounting . . . . .	† 50-0001-3
13 Evaporator Top Molding and Gasket Assembly . . . . .	76-2801-3
14 Water Curtain Pin Assembly . . . . .	† 76-2856-3

† Refer to Cross Reference Guide

# SU1024YC REFRIGERATION COMPARTMENT



SV2082



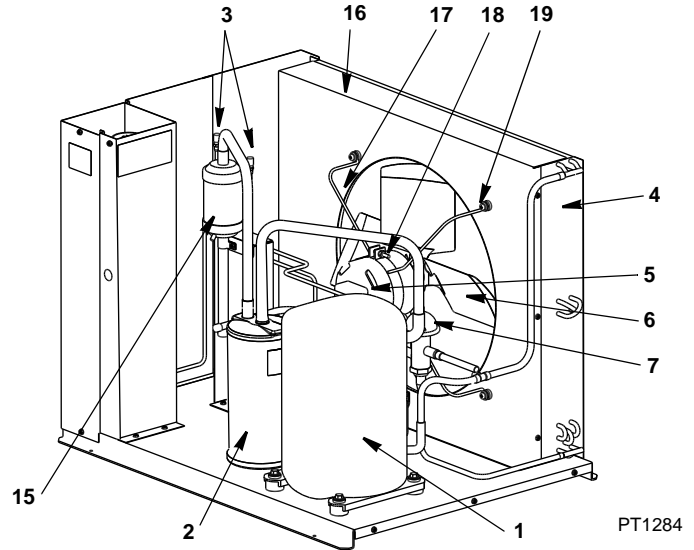
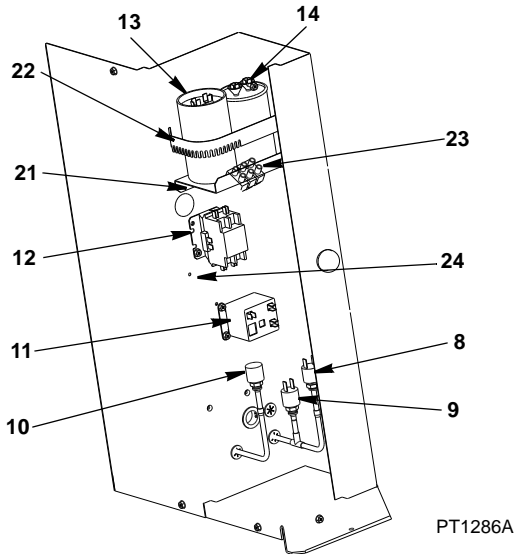
SV2081

## SU1024YC REFRIGERATION COMPARTMENT

DESCRIPTION	PART NUMBER
<b>1 Water Dump Valve</b>	
a. 115V/60 Hz . . . . .	000001767
b. 208/230V 50/60 Hz . . . . .	000001768
c. Dump Valve Rebuild Kit . . . . .	No Longer Available
<b>2 Manual Shut-off Valve Suction Line</b> . . . . .	† 83-7327-3
<b>3 Manual Shut-off Valve Liquid Line</b> . . . . .	† 83-7302-3
<b>4 Receiver</b> . . . . .	82-5058-3
a. Equalizer Tube (Connects The Receivers) . . . . .	30-0154-3
<b>5 Check Valve</b> . . . . .	† 83-7315-9
<b>6 Expansion Valve</b> . . . . .	† 76-0022-3
a. Expansion Valve Body Insulation Boot . . . . .	76-0080-3
b. Expansion Valve Bulb Insulation Boot . . . . .	40-0092-3
<b>7 Cool Vapor Valve</b>	
a. Solenoid Valve Including 115V/60 Hz Electrical Coil (Danfoss) . . . . .	† 76-3005-1
b. 115V/60 Hz Electrical Coil only Danfoss . . . . .	000002048
c. 115V/60 Hz Electrical Coil only Alco . . . . .	24-0436-3
d. Solenoid Valve Including 208/230V 50/60 Hz Electrical Coil (Danfoss) . . . . .	† 76-3011-1
e. 208/230V 50/60 Hz Electrical Coil Only Danfoss . . . . .	000002049
f. 208/230V 50/60 Hz Electrical Coil Only Alco . . . . .	† 24-0448-3
<b>8 Receiver Service Valve</b> . . . . .	† 83-7316-9
a. Valve Cap . . . . .	56-5075-3
<b>9 Liquid Line Solenoid Valve</b>	
a. Liquid Line Solenoid Valve Including 115V/60 Hz Coil (Danfoss) . . . . .	† 76-3001-1
b. 115V/60 Hz Coil Only Danfoss . . . . .	000002048
c. 115V/60 Hz Coil Only Alco . . . . .	24-0436-3
d. Liquid Line Solenoid Valve Including 208/230V 50/60 Hz Electrical Coil (Danfoss) . . . . .	† 76-3007-1
e. 208/230V 50/60 Hz Coil Only Danfoss . . . . .	000002049
f. 208/230V 50/60 Hz Coil Only Alco . . . . .	† 24-0448-3
<b>10 Liquid Line Drier</b> . . . . .	† 89-3027-9
<b>11 Float Valve</b> . . . . .	† 83-6904-9
a. Compression Nut . . . . .	† 56-5072-9
<b>12 Water Pump</b>	
a. 115V/60 Hz . . . . .	† 76-2552-3
b. 220V/50 Hz/1 ph . . . . .	† 14-8027-9
c. Water Pump Electrical Lead . . . . .	† 20-7810-3
<b>13 Heat Exchanger</b> . . . . .	82-5061-3
<b>Miscellaneous – Brackets, Screws, etc.</b>	
<b>14 Side Frame</b> . . . . .	604721-1
<b>15 Clamp, Expansion Valve Bulb (Not shown)</b> . . . . .	30-0081-3
a. Copper Expansion Valve Bulb Clamp . . . . .	30-0050-3
<b>16 Float Valve Bracket</b> . . . . .	604728-1
<b>17 Thumbscrew</b> . . . . .	53-0512-3
<b>18 Pump Chimney Cover</b> . . . . .	76-0117-3
<b>19 Pump Chimney Back Panel</b> . . . . .	76-0118-3

† Refer to Cross Reference Guide

# CVD1075 CONDENSING UNIT



## DESCRIPTION

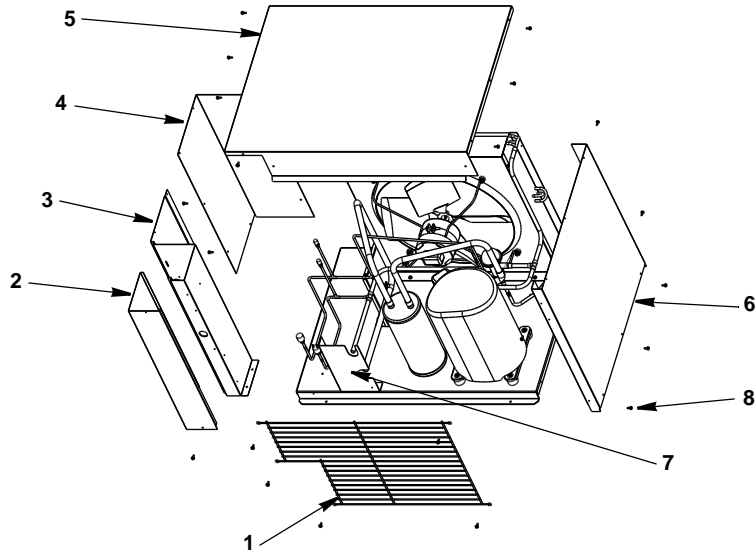
## PART NUMBER

<b>1 Compressor</b>	
a. 208-230V/60 Hz/1 ph. . . . .	† 76-0002-3
b. 208-230V/60 Hz/3 ph. . . . .	† 76-0003-3
c. 208-230V/50 Hz/1 ph. . . . .	† 76-0004-3
<b>2 Suction Accumulator. . . . .</b>	89-0058-3
<b>3 Access Valve . . . . .</b>	83-7325-3
<b>4 Air-Cooled Condenser . . . . .</b>	88-5139-3
<b>5 Fan Motor</b>	
a. 208-230V/60 Hz/1 ph (or 3 ph) . . . . .	24-1315-3
b. 208-230V/50 Hz/1 ph. . . . .	24-1318-3
<b>6 Fan Blade . . . . .</b>	24-1611-3
<b>7 Head Pressure Control Valve . . . . .</b>	83-6810-3
<b>8 Fan Cycling Control . . . . .</b>	† 20-0126-3
<b>9 High Pressure Cut Out Control. . . . .</b>	† 20-0124-3
<b>10 Low Pressure Cut Out Control . . . . .</b>	20-0222-9
<b>11 Start Relay 50-60 Hz/1 Ph . . . . .</b>	20-0755-9
<b>12 Contactor 50-60 Hz/1 Ph . . . . .</b>	24-1035-3
a. 60 Hz/3 Ph. . . . .	† 20-0116-3
<b>13 Start Capacitor 60 Hz/1 Ph . . . . .</b>	† 85-0385-3
a. 50 Hz/1 Ph. . . . .	85-0582-3
<b>14 Run Capacitor 60 Hz/1 Ph . . . . .</b>	† 20-1013-3
a. 50 Hz/1 Ph. . . . .	000001395
<b>15 Filter, Suction Line . . . . .</b>	† 82-5054-9
<b>Miscellaneous – Brackets, Screws, etc.</b>	
<b>16 Fan Shroud. . . . .</b>	603449-1
<b>17 Fan Motor Mounting Bracket . . . . .</b>	30-0682-3
<b>18 Fan Motor Mounting Screw. . . . .</b>	† 50-3358-9
a. Fan Motor Mounting Lockwasher . . . . .	† 55-4511-9
b. Fan Motor Mounting Hexnut . . . . .	† 54-2952-9
<b>19 Fan Bracket Mounting Screw . . . . .</b>	† 50-3358-9
a. Fan Bracket Mounting Lockwasher . . . . .	† 55-4511-9
b. Fan Bracket Mounting Flatwasher. . . . .	† 55-7305-9
c. Fan Bracket Mounting Rubber Wellnut . . . . .	† 54-2955-9
<b>20 Screw, #10-24 x .50 (Used For Panel Attachment - Not shown) . . . . .</b>	† 52-0206-9
<b>21 Capacitor Mounting Bracket . . . . .</b>	603498-1
<b>22 Capacitor Mounting Strap . . . . .</b>	602160-1
<b>23 Terminal Block (50 Hz Only) . . . . .</b>	20-0614-3
<b>24 Ground Screw. . . . .</b>	† 52-0216-9

**NOTE:** There are two condensing units available for the SU1000C, please verify your condensing unit.

† Refer to Cross Reference Guide

# CVD1075 CONDENSING UNIT PANELS



PT1287

**DESCRIPTION**

**PART NUMBER**

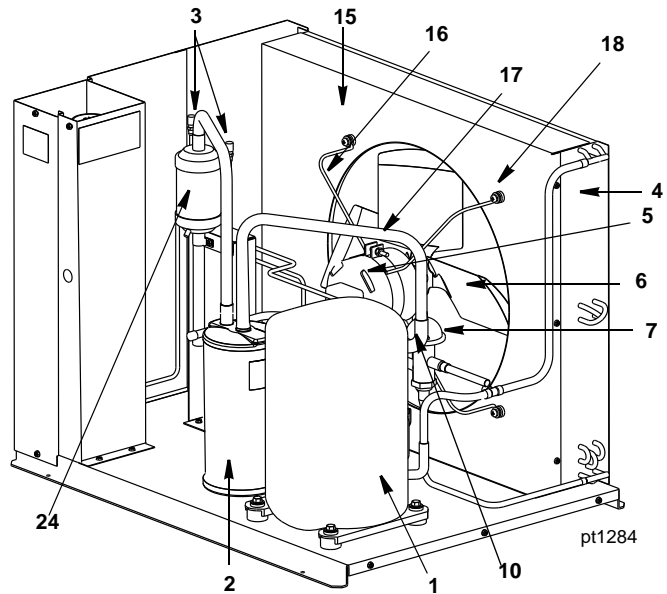
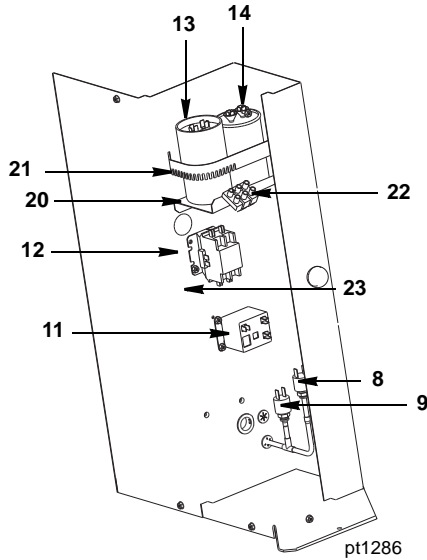
1	Condenser Fan Guard . . . . .	34-0689-3
2	Control Box Cover . . . . .	603477-1
3	Control Box Panel . . . . .	603707-1
4	Left Side Panel. . . . .	603729-1
5	Cover Top. . . . .	603475-1
6	Right Side Panel . . . . .	603470-1
7	Bracket. . . . .	† 604226-1

**Miscellaneous – Brackets, Screws, etc.**

8	Screw, #10-24 x .50 Hex . . . . .	† 52-0206-9
---	-----------------------------------	-------------

**NOTE:** There are two condensing units available for the SU1000C, please verify your condensing unit.

# CVD1285 CONDENSING UNIT



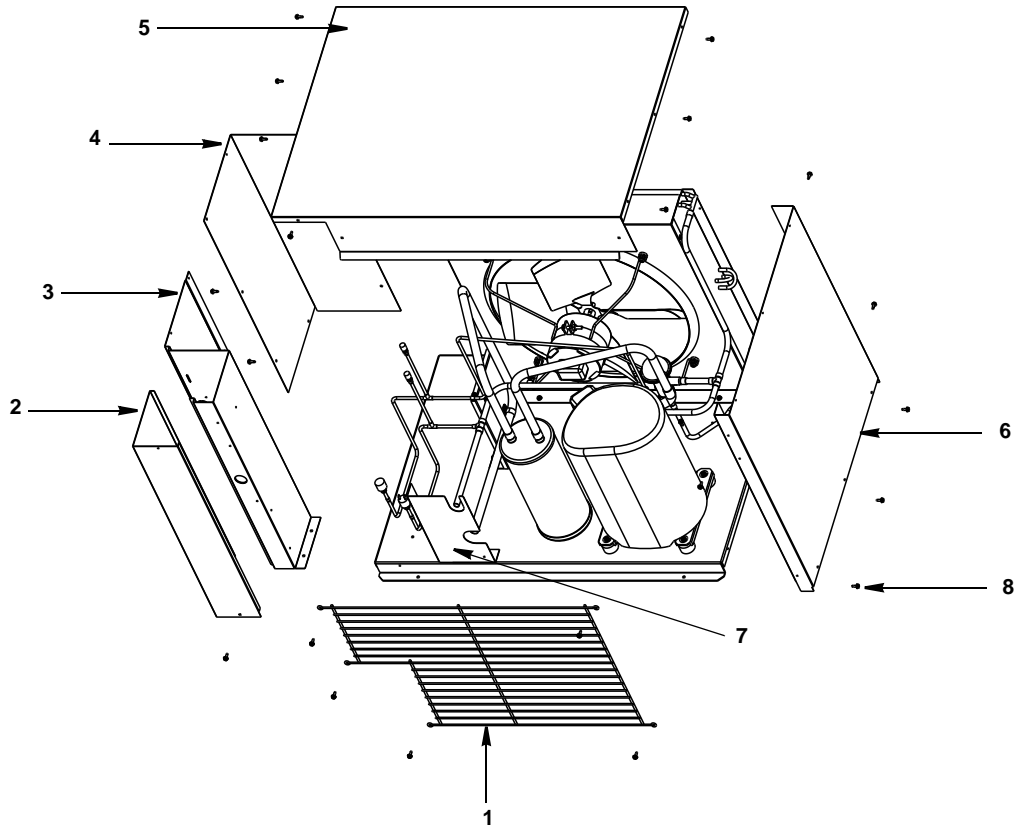
## DESCRIPTION

		PART NO.
1	<b>Compressor</b>	
	a. 208-230V/60 Hz/1 Ph .....	76-0321-3
	b. 208-230V/60 Hz/3 Ph .....	76-0322-3
	c. 208-230V/50 Hz/1 Ph .....	76-0323-3
2	Suction Accumulator .....	82-5143-3
3	Access Valve .....	83-7325-3
4	Air-Cooled Condenser .....	88-5139-3
5	Fan Motor	
	a. 208-230V/60 Hz/1 Ph (or 3 Ph) .....	† 20-0018-9
	b. 208-230V/50 Hz/1 Ph .....	† 20-0058-3
6	Fan Blade .....	24-1611-3
7	Head Pressure Control Valve .....	83-6810-3
8	Fan Cycling Control .....	† 20-0126-3
9	High Pressure Cut-Out Control .....	† 20-0124-3
10	Low Pressure Cut-Out Control .....	20-0222-9
11	Start Relay 50-60 Hz/1 Ph .....	20-0755-9
12	Contactor 50-60 Hz/1 Ph .....	20-0660-9
	a. 60 Hz/3 Ph .....	20-0661-9
13	Start Capacitor 50-60 Hz/1 Ph .....	† 85-0385-3
14	Run Capacitor 60 Hz/1 Ph .....	† 20-1013-3
<b>Miscellaneous – Brackets, Screws, etc.</b>		
15	Fan Shroud .....	603449-1
16	Fan Motor Mounting Bracket .....	30-0682-3
17	Fan Motor Mounting Screw .....	† 50-3358-9
	a. Fan Motor Mounting Lockwasher .....	† 55-4511-9
	b. Fan Motor Mounting Hexnut .....	† 54-2952-9
18	Fan Bracket Mounting Screw .....	50-3238-9
	a. Fan Bracket Mounting Lockwasher .....	† 55-4511-9
	b. Fan Bracket Mounting Flatwasher .....	† 55-7305-9
	c. Fan Bracket Mounting Rubber Wellnut .....	† 54-2955-9
19	Screw, #10-24 x .50 (Used for Panel Attachment – Not shown) .....	† 52-0206-9
20	Capacitor Mounting Bracket .....	603498-1
21	Capacitor Mounting Strap .....	602160-1
22	Terminal Block (50 Hz Only) .....	20-0614-3
23	Ground Screw .....	† 52-0216-9
24	Suction Line Filter .....	82-5054-9
25	Wiring Harness, 230V/50-60Hz/1-3 Ph .....	20-0761-9

**NOTE:** There are two condensing units available for the SU1000C, please verify your condensing unit.

† Refer to Cross Reference Guide

## CVD1285 CONDENSING UNIT PANELS



pt1287

### DESCRIPTION

DESCRIPTION	PART NO.
1 Condenser Fan Guard . . . . .	34-0689-3
2 Control Box Cover . . . . .	† 604017-1
3 Control Box Panel . . . . .	603707-1
4 Left Side Panel. . . . .	603729-1
5 Cover Top. . . . .	603475-1
6 Right Side Panel . . . . .	603470-1
7 Tube Shield . . . . .	† 604226-1

### Miscellaneous – Brackets, Screws, etc.

8 Screw, #10-24 x .50 Hex . . . . .	† 52-0206-9
-------------------------------------	-------------

**NOTE:** There are two condensing units available for the SU1000C, please verify your condensing unit.

**INTENTIONALLY LEFT BLANK**